

MAGNASOURCE INC.

CAM
ATTACHMENTS
PRODUCT
CATALOG

INTRODUCTION

All of our equipment comes standard with Mounting Class II A, III A or IV A. All dimensions listed in this catalog refer to these classes. If an attachment can be fitted to a vehicle with a different hook class, the dimensions listed refer to the lighter class. Mounting Class II B, III B or IV B can be provided upon request at no extra charge. Mounting Classes not listed above are considered special order products and are available only upon request.

The warranty period is twenty four (24) months from the date of delivery. It is limited to the replacement, at our facility, of parts that we consider defective due to faulty materials, workmanship or design. The warranty does not include labor, transportation and/or transfer costs for the substitution of parts. Valid only in accordance with the conditions specified.

GENERAL INFORMATION

All of the hydraulically operated equipment included in this catalog, with the exception of sidershifters, come standard with pre-regulated non-returnable maximum pressure valves.

We recommend using supply pipes with an internal diameter of at least 0.39" (10mm) for equipment with a capacity of up to 5500lb (2500kg) and of 0.47"-0.51" (12-13mm) for equipment with higher capacities. Elbows, connectors and throttled passages must be reduced to an absolute minimum. Rotating attachments come with a built-in forward angle of 0°-2° on the truck's carriage, and 4° mounting is available upon request.

Equipment capacities, dimensions and performance listed in this catalog are for informational purposes only, and in the interest of product development, TVH reserves the right to make any modifications without prior notice. Stated capacities relate solely to the equipment.

To determine the residual capacity of an equipment assembly, use the calculation listed below. There are many variables, including the type of load, working conditions of the truck, type of tires and upright, and relative lifting, which can affect the residual capacity of the assembly and should always be taken into account.

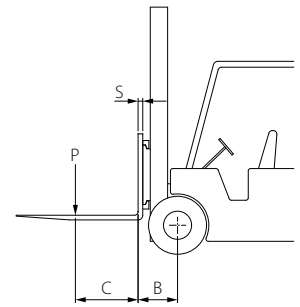




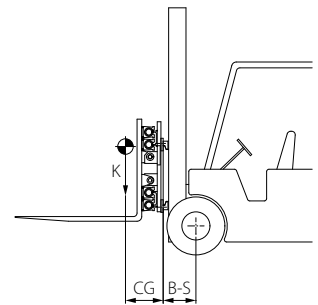
RESIDUAL CAPACITY CALCULATION

- P = Stated capacity of the lift truck
- C = Rated load center of the lift truck
- B = Distance between the fork plate and the wheel center
- S = Fork thickness
- LL = Clamp thickness
- CG = Attachment center of gravity
- K = Clamp weight
- CGc = Load center of gravity

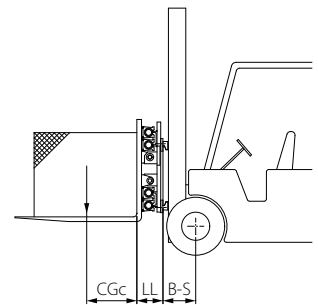
FORKLIFT



ATTACHMENT



LOAD



FORMULA

$$X = \frac{P * (B+C) - K * [(B-S) + CG]}{[(B-S) + LL + CGC]}$$

TO CALCULATE SIDESHIFTING

Lateral sideshifting increases the equipment's versatility and facilitates maneuvering. There are two options for sideshifters: integrated or semi-integrated.

Integrated sideshifters use the same cylinder as the forklift. Shifting decreases proportionally until it is equivalent to zero with the cylinder at the end of the stroke (clamp completely open or closed).

To determine the available shifting in a clamp we must define:

- A = maximum opening
- B = minimum opening
- C = load width

The calculation will be as follows:

- $A - C =$
- $C - B =$

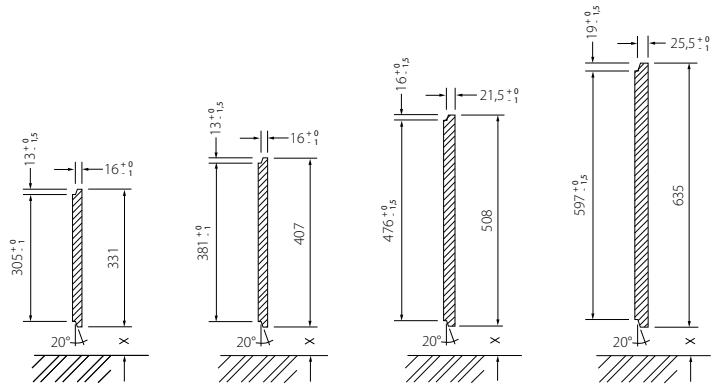
The smaller of the two values will be the total shifting available. Please note that the integrated sideshifter does not alter the weight - center of gravity - and thickness values.

Lateral semi-integrated shifting is obtained by integrating a separate cylinder with relative slide system to the back of the clamp. Stroke will always be equal to 8" regardless of the position of the cylinders. This type increases weight - center of gravity - thickness values of the clamp.





CARRIAGE DIMENSIONS



MOUNTING CLASS I **MOUNTING CLASS II** **MOUNTING CLASS III** **MOUNTING CLASS IV**

CARRIAGE DIMENSIONS

Mounting Class	Lift Truck Capacity		"X"	
I A	0lb - 2200lb @ 20"	0kg - 999kg @ 500mm	3.0"	76mm
I B			4.5"	114mm
II A	2200lb - 5500lb @ 20"	1000kg - 2500kg @ 500mm	3.0"	76mm
II B			6.0"	152mm
III A	5500lb - 11000lb @ 20"	2501kg - 4999kg @ 500mm	3.0"	76mm
III B			8.0"	203mm
IV A	11000lb - 17600lb @ 24"	5000kg - 8000kg @ 600mm	5.0"	127mm
IV B			10.0"	254mm

TABLE OF CONTENTS

INTRODUCTION	2
TABLE OF CONTENTS	6

01. SIDESHIFTERS 8

Sideshifters ISO/Class II with sliding pads <i>SHP225</i>	9
Sideshifters ISO/Class III with sliding pads <i>SHP335</i>	10
Sideshifters ISO/Class II with sliding pads <i>TRF Class II</i>	11
Sideshifters ISO/Class III-IV with sliding pads <i>TRF Class III & IV</i>	12
Load backrests <i>TRF</i>	13

02. FORK POSITIONERS 14

Fork positioners with FEM fork carriers without sideshifter <i>PH</i>	15
Fork positioners with FEM fork carriers with sideshifter <i>PH-T</i>	16
Rotating fork positioners with FEM fork carriers 360° <i>PHR</i>	17
Fork positioners with pin-type forks and integrated sideshifter <i>PJ-T</i>	18
Fork positioners with bar-mounted FEM fork carriers with integrated sideshifter <i>PJA</i>	19
High-capacity fork positioners with welded forks <i>PR</i>	20
Integrated high-capacity fork positioners with welded forks without sideshifter <i>PRI</i>	21
High-capacity fork positioner with FEM fork carriers without Sideshifter <i>PRA</i>	22
Wide opening fork positioners with welded forks <i>WF</i>	23
Wide opening fork positioners with FEM fork carriers <i>WA</i>	24

03. MULTI-FORK POSITIONERS 26

Four-fork positioners for multi-pallets <i>UDPS</i>	27
Four-fork positioners for multi-pallets <i>UDPSL</i>	28





04.

ROTATORS

30

Rotators without sideshifter 360° (U)PRC	31
Rotators with sideshifter 360° (U)PRC-T	32
Rotators without sideshifter 360° for bins UPRC-DA	33
Rotators without sideshifter 360° with hydraulic bin retainer RBC	34
Plastic container rotators 360° RLC	35
Plastic container rotators 180° RLCA	36

05.

CLAMPS

38

Fork clamps HF-T	39
Rotating fork clamps 360° HFR	41
Bale clamps, pulp bale clamps HB-T	43
Bale clamps, pulp bale clamps 360° HBR	46
Appliance and carton clamps - articulating pads UHEA-T	48

06.

ROLL CLAMPS

50

Rotating paper roll clamps 360° CR	51
Rotating paper roll clamps - split arms 360° CR-S	53

07.

PUSH-PULLS

56

Push-pulls PP	57
Push-pulls fork-mounted PP-I	58



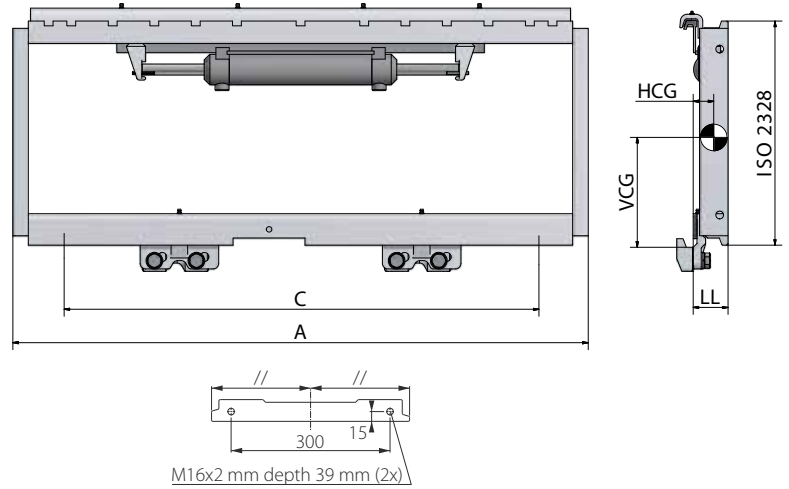
CHAPTER OVERVIEW

1.1	Sideshifters ISO/Class II with sliding pads	<i>SHP225</i>	9
1.2	Sideshifters ISO/Class III with sliding pads	<i>SHP335</i>	10
1.3	Sideshifters ISO/Class II with sliding pads	<i>TRF Class II</i>	11
1.4	Sideshifters ISO/Class III-IV with sliding pads	<i>TRF Class III & IV</i>	12
1.5	Load backrests	<i>LBR</i>	13

1.1 SIDESHIFTERS ISO/CLASS II WITH SLIDING PADS SHP225

TECHNICAL DETAILS:

- 1 hydraulic function
- Maximum pressure 2,900 psi
- Recommended oil flow 2 gpm
- C - Minimal width lift truck carriage
- Total sideshift stroke 8"
- Drilled for LBR load backrest



Model	Capacity 24" (600mm) Load Center	A	C	LL	HCG	VCG	Weight	Mounting Class
SYSHP225.080-02	5,500lb (2,500kg)	31.5"	31.5"	2.3"	0.9"	8.8"	93lb (42kg)	II
SYSHP225.090-02	5,500lb (2,500kg)	35.4"	31.5"	2.3"	0.9"	8.8"	100lb (46kg)	II
SYSHP225.092-02	5,500lb (2,500kg)	36.2"	31.5"	2.3"	0.9"	8.8"	101lb (46kg)	II
SYSHP225.094-02	5,500lb (2,500kg)	37.0"	31.5"	2.3"	0.9"	8.8"	103lb (47kg)	II
SYSHP225.098-02	5,500lb (2,500kg)	38.6"	31.5"	2.3"	0.9"	8.8"	106lb (48kg)	II
SYSHP225.100-02	5,500lb (2,500kg)	39.4"	31.5"	2.3"	0.9"	8.8"	107lb (49kg)	II
SYSHP225.102-02	5,500lb (2,500kg)	40.2"	31.5"	2.3"	0.9"	8.8"	109lb (49kg)	II
SYSHP225.104-02	5,500lb (2,500kg)	41.0"	31.5"	2.3"	0.9"	8.8"	110lb (50kg)	II
SYSHP225.107-02	5,500lb (2,500kg)	42.1"	31.5"	2.3"	0.9"	8.8"	112lb (51kg)	II
SYSHP225.110-02	5,500lb (2,500kg)	43.3"	31.5"	2.3"	0.9"	8.8"	115lb (52kg)	II
SYSHP225.115-02	5,500lb (2,500kg)	45.3"	31.5"	2.3"	0.9"	8.8"	118lb (54kg)	II
SYSHP225.125-02	5,500lb (2,500kg)	49.2"	38.6"	2.3"	0.9"	8.8"	126lb (57kg)	II
SYSHP225.140-02	5,500lb (2,500kg)	55.1"	38.6"	2.3"	0.9"	8.8"	148lb (67kg)	II

AVAILABLE ON REQUEST

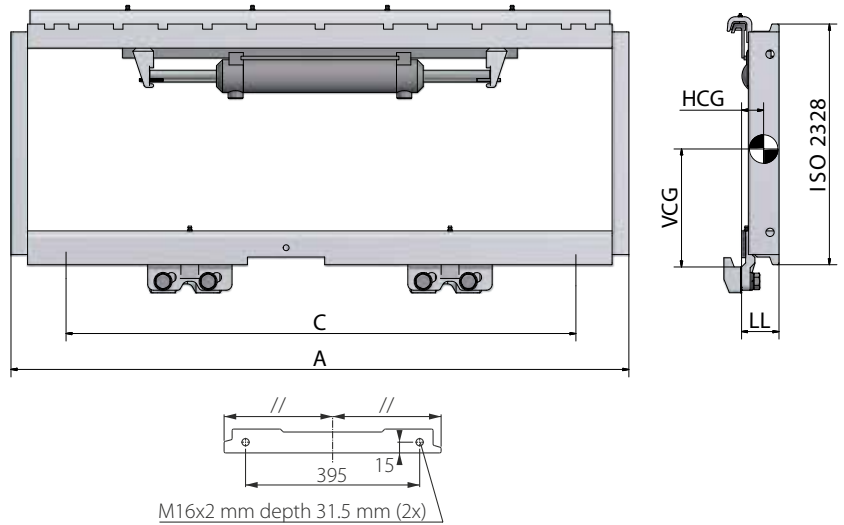
Load backrest

SIDESHIFTERS

1.2 SIDESHIFTERS ISO/CLASS III WITH SLIDING PADS SHP335

TECHNICAL DETAILS:

- 1 hydraulic function
- Maximum pressure 2,900 psi
- Recommended oil flow 3 gpm
- C - Minimal width lift truck carriage
- Total sideshift stroke 8"
- Drilled for LBR load backrest



Model	Capacity 24" (600mm) Load Center	A	C	LL	HCG	VCG	Weight	Mounting Class
SYSHP335.100-04	6,500lb (3,000kg)	39.4"	38.6"	2.7"	1.1"	11.1"	146lb (67kg)	III
SYSHP335.102-04	6,500lb (3,000kg)	40.2"	38.6"	2.7"	1.1"	11.1"	149lb (67kg)	III
SYSHP335.107-04	6,500lb (3,000kg)	42.1"	38.6"	2.7"	1.1"	11.1"	153lb (70kg)	III
SYSHP335.110-04	6,500lb (3,000kg)	43.3"	38.6"	2.7"	1.1"	11.1"	156lb (71kg)	III
SYSHP335.115-04	6,500lb (3,000kg)	45.3"	38.6"	2.7"	1.1"	11.1"	160lb (73kg)	III
SYSHP335.120-04	6,500lb (3,000kg)	47.3"	38.6"	2.7"	1.1"	11.1"	165lb (75kg)	III
SYSHP335.125-04	6,500lb (3,000kg)	49.2"	38.6"	2.7"	1.1"	11.2"	170lb (77kg)	III
SYSHP335.130-04	6,500lb (3,000kg)	51.2"	38.6"	2.7"	1.1"	11.2"	189lb (89kg)	III
SYSHP335.135-04	6,500lb (3,000kg)	53.2"	42.5"	2.7"	1.1"	11.2"	196lb (89kg)	III
SYSHP335.140-04	6,500lb (3,000kg)	55.1"	42.5"	2.7"	1.1"	11.3"	198lb (90kg)	III

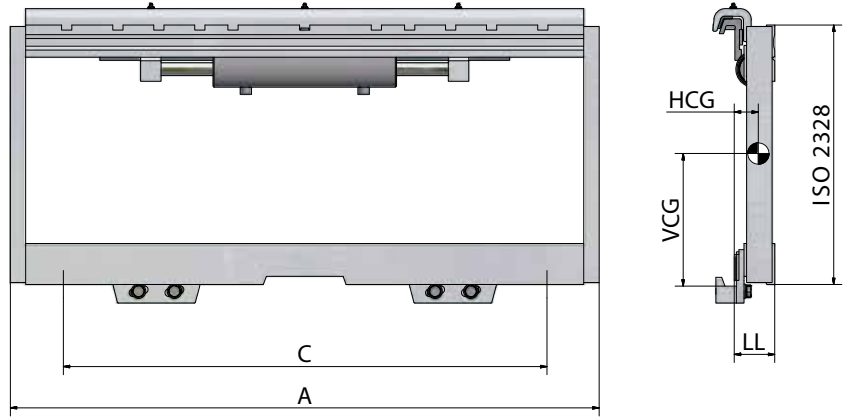
AVAILABLE ON REQUEST

Load backrest

1.3 SIDESHIFTERS ISO/CLASS II WITH SLIDING PADS TRF Class II

TECHNICAL DETAILS:

- 1 hydraulic function
- Maximum pressure 2,900 psi
- Recommended oil flow 2 gpm
- C – Minimal width lift truck carriage
- Total sideshift stroke 8"



Model	Capacity 24" (600mm) Load Center	A	C	LL	HCG	VCG	Weight	Mounting Class
SYTRF225.082-02	5,500lb (2,500kg)	31.5"	27.6"	2.7"	1.3"	9.4"	95lb (43kg)	II
SYTRF225.092-02	5,500lb (2,500kg)	36.2"	31.5"	2.7"	1.4"	9.3"	103lb (47kg)	II
SYTRF225.093-02	5,500lb (2,500kg)	36.6"	31.5"	2.7"	1.4"	9.3"	104lb (47kg)	II
SYTRF225.094-02	5,500lb (2,500kg)	37.0"	31.5"	2.7"	1.4"	9.3"	106lb (48kg)	II
SYTRF225.098-02	5,500lb (2,500kg)	38.6"	33.5"	2.7"	1.4"	9.3"	108lb (49kg)	II
SYTRF225.100-02	5,500lb (2,500kg)	39.4"	33.5"	2.7"	1.4"	9.3"	110lb (50kg)	II
SYTRF225.104-02	5,500lb (2,500kg)	41.0"	33.5"	2.7"	1.4"	9.2"	114lb (52kg)	II
SYTRF225.107-02	5,500lb (2,500kg)	42.1"	34.2"	2.7"	1.4"	9.2"	116lb (53kg)	II
SYTRF225.110-02	5,500lb (2,500kg)	43.3"	35.4"	2.7"	1.4"	9.2"	119lb (54kg)	II
SYTRF225.115-02	5,500lb (2,500kg)	45.3"	35.4"	2.7"	1.4"	9.2"	123lb (56kg)	II
SYTRF225.122-02	5,500lb (2,500kg)	48.3"	39.4"	2.7"	1.4"	9.0"	143lb (65kg)	II
SYTRF225.140-02	5,500lb (2,500kg)	55.1"	39.4"	2.7"	1.4"	8.9"	165lb (75kg)	II

Options

Bronze lower bearings, Class II

Bronze upper and lower bearings, Class II

AVAILABLE ON REQUEST

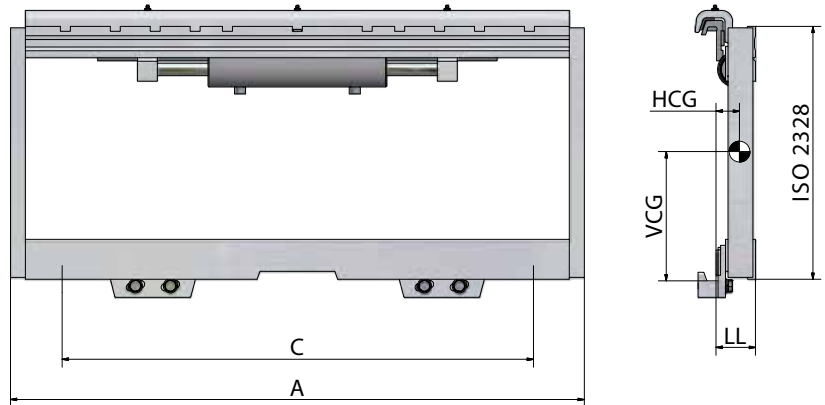
- Sideshifters for reach truck
- Special sideshifters
- Load backrest

SIDESHIFTERS

1.4 SIDESHIFTERS ISO/CLASS III-IV WITH SLIDING PADS TRF Class III & IV

TECHNICAL DETAILS:

- 1 hydraulic function
- Maximum pressure 2,900 psi
- Recommended oil flow 3 gpm
- C – Minimal width lift truck carriage
- Total sideshift stroke 8" - 12"



Model	Capacity 24" (600mm) Load Center	A	C	LL	HCG	VCG	Weight	Mounting Class
SYTRF335.096-04	6,500lb (3,000kg)	37.7"	35.4"	3.2"	1.8"	11.8"	185lb (84kg)	III
SYTRF335.100-04	6,500lb (3,000kg)	39.3"	37.4"	3.2"	1.8"	11.8"	196lb (89kg)	III
SYTRF335.102-04	6,500lb (3,000kg)	40.1"	39.4"	3.2"	1.8"	11.9"	207lb (94kg)	III
SYTRF335.115-04	6,500lb (3,000kg)	45.3"	39.4"	3.2"	1.8"	11.9"	218lb (99kg)	III
SYTRF335.120-04	6,500lb (3,000kg)	47.3"	39.4"	3.2"	1.8"	12.0"	231lb (105kg)	III
SYTRF335.150-04	6,500lb (3,000kg)	59.0"	43.3"	3.2"	1.8"	12.0"	264lb (120kg)	III
SYTRF350.100-04	12,000lb (5,500kg)	39.4"	35.4"	3.2"	1.5"	11.0"	253lb (115kg)	III
SYTRF350.102-04	12,000lb (5,500kg)	40.1"	37.4"	3.2"	1.5"	11.0"	253lb (115kg)	III
SYTRF350.115-04	12,000lb (5,500kg)	45.3"	37.4"	3.2"	1.5"	10.9"	275lb (125kg)	III
SYTRF350.120-04	12,000lb (5,500kg)	47.3"	39.4"	3.2"	1.5"	10.9"	297lb (135kg)	III
SYTRF350.130-04	12,000lb (5,500kg)	51.2"	39.4"	3.2"	1.5"	10.9"	308lb (140kg)	III
SYTRF350.150-04	12,000lb (5,500kg)	59.0"	49.2"	3.2"	1.5"	10.9"	350lb (159kg)	III
SYTRF460.119-04	15,000lb (6,500kg)	46.8"	41.3"	3.9"	2.2"	14.4"	496lb (225kg)	IV
SYTRF460.150-04	15,000lb (6,500kg)	59.0"	51.2"	3.9"	2.2"	14.4"	640lb (290kg)	IV
SYTRF460.180-04	15,000lb (6,500kg)	70.9"	59.1"	3.9"	2.2"	14.4"	683lb (310kg)	IV
SYTRF480.150-04	18,000lb (8,000kg)	59.0"	51.2"	3.9"	2.2"	13.8"	695lb (314kg)	IV
SYTRF480.180-04	18,000lb (8,000kg)	70.9"	59.1"	3.9"	2.2"	13.8"	701lb (318kg)	IV
SYTRF480.200-04	18,000lb (8,000kg)	78.8"	65.0"	3.9"	2.2"	13.8"	732lb (332kg)	IV

Options

Bronze lower bearings, Class III or Class IV

Bronze upper and lower bearings, Class III or Class IV

AVAILABLE ON REQUEST

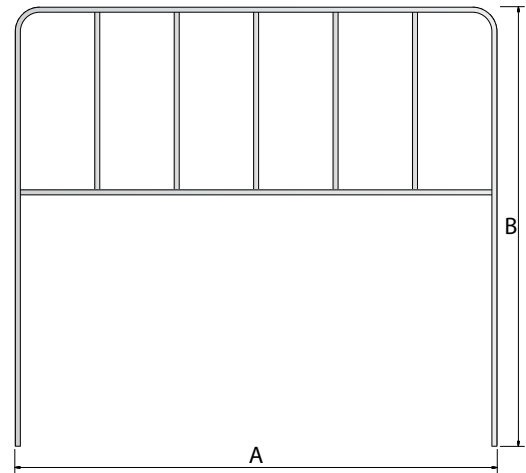
Mounting Class IV 'R' models with rollers

Load backrest

1.5 LOAD BACKRESTS LBR

TECHNICAL DETAILS:

- Fits SH, TRF, PH, PH-T & SHP



Model	A	B	Holes Per Side	Weight
SYLBR225.080-02	31.5"	48"	2	56lb (26kg)
SYLBR225.082-02	31.5"	48"	2	57lb (26kg)
SYLBR225.092-02	36.2"	48"	2	61lb (28kg)
SYLBR225.093-02	36.6"	48"	2	62lb (28kg)
SYLBR225.094-02	37.0"	48"	2	63lb (29kg)
SYLBR225.098-02	38.6"	48"	2	64lb (29kg)
SYLBR225.100-02	39.4"	48"	2	65lb (30kg)
SYLBR225.104-02	41.0"	48"	2	66lb (31kg)
SYLBR225.107-02	42.1"	48"	2	68lb (32kg)
SYLBR225.110-02	43.3"	48"	2	70lb (33kg)
SYLBR225.115-02	45.3"	48"	2	73lb (34kg)
SYLBR225.122-02	48.3"	48"	2	75lb (35kg)
SYLBR225.140-02	55.1"	48"	2	77lb (35kg)
SYLBR335.096-04	37.7"	48"	4	77lb (35kg)
SYLBR335.100-04	39.3"	48"	4	78lb (36kg)
SYLBR335.102-04	40.1"	48"	4	79lb (38kg)
SYLBR335.115-04	45.3"	48"	4	84lb (39kg)

Model	A	B	Holes Per Side	Weight
SYLBR335.115-04	45.3"	48"	4	84lb (39kg)
SYLBR335.120-04	47.3"	48"	4	86lb (40kg)
SYLBR335.150-04	59.0"	48"	4	95lb (43kg)
SYLBR350.100-04	39.4"	48"	4	78lb (35kg)
SYLBR350.102-04	40.1"	48"	4	79lb (36kg)
SYLBR350.115-04	45.3"	48"	4	84lb (38kg)
SYLBR350.120-04	47.3"	48"	4	86lb (39kg)
SYLBR350.130-04	51.2"	48"	4	89lb (40kg)
SYLBR350.150-04	59.0"	48"	4	95lb (43kg)
SYLBR460.119-04	46.8"	48"	4	130lb (59kg)
SYLBR460.140-04	55.0"	48"	4	140lb (63kg)
SYLBR460.150-04	59.0"	48"	4	143lb (65kg)
SYLBR460.180-04	70.9"	48"	4	161lb (73kg)
SYLBR480.150-04	59.0"	48"	4	143lb (65kg)
SYLBR480.180-04	70.9"	48"	4	161lb (73kg)
SYLBR480.200-04	78.8"	48"	4	174lb (79kg)

MOUNTING BOLTS

Mounting Class	Part Number
II & III	SYTRF-0900
IV	SYTRF-0950

MOUNTING BOLT KITS

Mounting Class	Part Number
II	SYTRF-0900K2
III	SYTRF-0900K3
IV	SYTRF-0950K



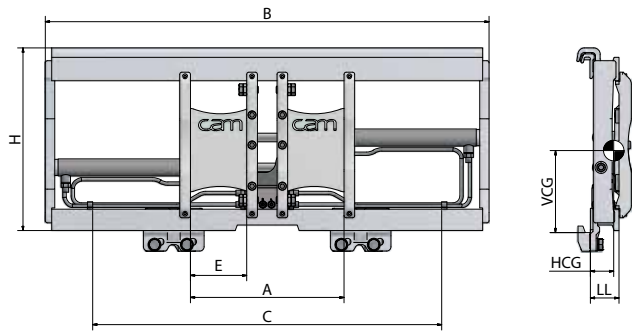
CHAPTER OVERVIEW

2.1	Fork positioners with FEM fork carriers without sideshifter	<i>PH</i>	15
2.2	Fork positioners with FEM fork carriers with sideshifter	<i>PH-T</i>	16
2.3	Rotating fork positioners with FEM fork carriers 360°	<i>PHR</i>	17
2.4	Fork positioners with pin-type forks and integrated sideshifter	<i>PJ-T</i>	18
2.5	Fork positioners with bar-mounted FEM fork carriers with integrated sideshifter	<i>PJA</i>	19
2.6	High-capacity fork positioners with welded forks	<i>PR</i>	20
2.7	Integrated high-capacity fork positioners with welded forks without sideshifter	<i>PRI</i>	21
2.8	High-capacity fork positioner with FEM fork carriers without sideshifter	<i>PRA</i>	22
2.9	Wide opening fork positioners with welded forks	<i>WF</i>	23
2.10	Wide opening fork positioners with FEM fork carriers	<i>WA</i>	24

2.1 FORK POSITIONERS WITH FEM FORK CARRIERS WITHOUT SIDESHIFTER PH

TECHNICAL DETAILS:

- 1 hydraulic function
- Maximum pressure 2,600 psi
- Recommended oil flow 4 gpm
- C – Minimal width lift truck carriage
- Without forks
- Technical data without forks
- Without separate sideshifting
- Standard lift truck forks can be easily fitted
- Drilled for CAM LBR load backrest



Model	Capacity 24" (600mm) Load Center	A Opening Range	B	C	E Min/Max	H	LL	HCG	VCG	Weight	Mounting Class
SYPH25.092	5,500lb (2,500kg)	14.2" - 33.5"	36.2"	31.5"	4.0"/5.1"	17.1"	2.8"	1.4"	7.7"	145lb (66kg)	II
SYPH25.098	5,500lb (2,500kg)	14.2" - 35.8"	38.6"	31.5"	4.0"/5.1"	17.1"	2.8"	1.4"	7.7"	152lb (69kg)	II
SYPH25.102	5,500lb (2,500kg)	14.2" - 37.4"	40.2"	31.5"	4.0"/5.1"	17.1"	2.8"	1.4"	7.7"	158lb (72kg)	II
SYPH25.104	5,500lb (2,500kg)	14.2" - 38.2"	41.0"	31.5"	4.0"/5.1"	17.1"	2.8"	1.4"	7.8"	160lb (73kg)	II
SYPH25.110	5,500lb (2,500kg)	14.2" - 40.6"	43.3"	31.5"	4.0"/5.1"	17.1"	2.8"	1.4"	7.8"	169lb (77kg)	II
SYPH25.115	5,500lb (2,500kg)	14.2" - 42.5"	45.3"	31.5"	4.0"/5.1"	17.1"	2.8"	1.4"	7.8"	174lb (79kg)	II
SYPH35.110	7,700lb (3,500kg)	14.2" - 40.5"	43.5"	35.4"	4.0"/5.0"	21.2"	3.1"	1.5"	12.0"	249lb (113kg)	III
SYPH35.115	7,700lb (3,500kg)	14.2" - 42.5"	45.0"	35.4"	4.0"/5.0"	21.2"	3.1"	1.5"	12.0"	258lb (117kg)	III
SYPH35.125	7,700lb (3,500kg)	14.2" - 46.5"	49.0"	39.3"	4.0"/5.0"	21.2"	3.1"	1.5"	12.0"	275lb (125kg)	III
SYPH50.115	11,000lb (5,000kg)	16.2" - 40.2"	45.3"	35.4"	4.7"/6.0"	21.2"	3.2"	1.6"	11.1"	328kg (149kg)	III
SYPH50.125	11,000lb (5,000kg)	16.2" - 44.0"	49.2"	39.4"	4.7"/6.0"	21.2"	3.2"	1.6"	11.0"	348kg (158kg)	III
SYPH50.135	11,000lb (5,000kg)	16.2" - 48.0"	53.2"	43.3"	4.7"/6.0"	21.2"	3.2"	1.6"	11.0"	370kg (168kg)	III
SYPH55.120	12,100lb (5,500kg)	18.1" - 41.3"	47.2"	35.4"	4.7"/6.0"	26.5"	4.0"	2.0"	14.3"	491lb (223kg)	IV
SYPH55.150	12,100lb (5,500kg)	18.1" - 53.2"	59.0"	47.3"	4.7"/6.0"	26.5"	4.0"	2.0"	14.3"	577lb (262kg)	IV
SYPH55.170	12,100lb (5,500kg)	18.1" - 61.0"	66.9"	55.1"	4.7"/6.0"	26.5"	4.0"	2.0"	14.1"	641lb (291kg)	IV
SYPH70.120	15,400lb (7,000kg)	18.1" - 41.3"	47.2"	39.4"	4.7"/6.0"	26.5"	4.0"	2.2"	14.0"	561lb (255kg)	IV
SYPH70.150	15,400lb (7,000kg)	18.1" - 53.2"	59.0"	45.3"	4.7"/6.0"	26.5"	4.0"	2.2"	14.0"	636lb (289kg)	IV
SYPH70.180	15,400lb (7,000kg)	18.1" - 63.4"	66.9"	51.2"	4.7"/6.0"	26.5"	4.0"	2.2"	13.9"	737lb (335kg)	IV
SYPH70.200	15,400lb (7,000kg)	18.1" - 71.3"	78.7"	59.0"	4.7"/6.0"	26.5"	4.0"	2.1"	13.9"	836lb (380kg)	IV
SYPH70.220	15,400lb (7,000kg)	18.1" - 79.1"	86.6"	67.0"	4.7"/6.0"	26.5"	4.0"	2.1"	13.9"	869lb (395kg)	IV
SYPH80.120	17,600lb (8,000kg)	18.1" - 41.3"	47.2"	39.4"	4.7"/6.0"	26.5"	4.0"	2.2"	13.9"	572lb (260kg)	IV
SYPH80.150	17,600lb (8,000kg)	18.1" - 53.2"	59.0"	45.3"	4.7"/6.0"	26.5"	4.0"	2.2"	13.9"	645lb (293kg)	IV
SYPH80.180	17,600lb (8,000kg)	18.1" - 63.4"	70.9"	51.2"	4.7"/6.0"	26.5"	4.0"	2.2"	13.8"	746lb (339kg)	IV
SYPH80.200	17,600lb (8,000kg)	18.1" - 71.3"	78.7"	59.0"	4.7"/6.0"	26.5"	4.0"	2.1"	13.8"	847lb (385kg)	IV
SYPH80.220	17,600lb (8,000kg)	18.1" - 79.0"	86.6"	67.0"	4.7"/6.0"	26.5"	4.0"	2.1"	13.8"	891lb (405kg)	IV

AVAILABLE ON REQUEST

Load backrest

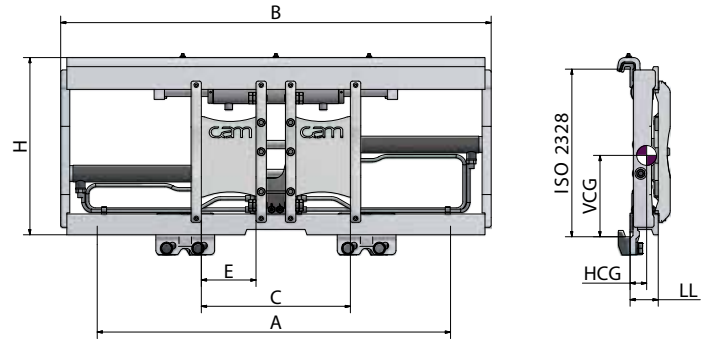
*Attachment not recommended for clamping between forks

FORK POSITIONERS

2.2 FORK POSITIONERS WITH FEM FORK CARRIERS WITH SIDESHIFTER PH-T

TECHNICAL DETAILS:

- 2 hydraulic functions
- Maximum pressure 2,600 psi
- Recommended oil flow 4 gpm
- C – Minimal width lift truck carriage
- Without forks
- Technical data without forks
- With separate sideshifting
- Standard lift truck forks can be easily fitted
- Total sideshift stroke 8"
- Drilled for CAM LBR load backrest



Model	Capacity 24" (600mm) Load Center	A Opening Range	B	C	E Min/Max	H	LL	HCG	VCG	Weight	Mounting Class
SYPH25T.092	5,500lb (2,500kg)	14.2" - 33.5"	36.2"	31.5"	4.0"/5.1"	17.1"	2.8"	1.4"	8.7"	158lb (72kg)	II
SYPH25T.098	5,500lb (2,500kg)	14.2" - 35.8"	38.6"	31.5"	4.0"/5.1"	17.1"	2.8"	1.4"	8.7"	165lb (75kg)	II
SYPH25T.102	5,500lb (2,500kg)	14.2" - 37.4"	40.2"	31.5"	4.0"/5.1"	17.1"	2.8"	1.4"	8.7"	169lb (77kg)	II
SYPH25T.104	5,500lb (2,500kg)	14.2" - 38.2"	41.0"	31.5"	4.0"/5.1"	17.1"	2.8"	1.4"	8.6"	171lb (78kg)	II
SYPH25T.110	5,500lb (2,500kg)	14.2" - 40.6"	43.3"	31.5"	4.0"/5.1"	17.1"	2.8"	1.4"	8.6"	180lb (82kg)	II
SYPH25T.115	5,500lb (2,500kg)	14.2" - 42.5"	45.3"	31.5"	4.0"/5.1"	17.1"	2.8"	1.4"	8.5"	185lb (84kg)	II
SYPH35T.110	7,700lb (3,500kg)	14.2" - 40.5"	43.5"	35.4"	4.0"/5.0"	21.2"	3.1"	1.5"	12.2"	262lb (119kg)	III
SYPH35T.115	7,700lb (3,500kg)	14.2" - 42.5"	45.0"	35.4"	4.0"/5.0"	21.2"	3.1"	1.5"	12.2"	271lb (123kg)	III
SYPH35T.125	7,700lb (3,500kg)	14.2" - 46.5"	49.0"	39.3"	4.0"/5.0"	21.2"	3.1"	1.5"	12.2"	289lb (131kg)	III
SYPH50T.115	11,000lb (5,000kg)	16.2" - 40.2"	45.3"	35.4"	4.7"/6.0"	21.2"	3.2"	1.6"	11.3"	344lb (156kg)	III
SYPH50T.125	11,000lb (5,000kg)	16.2" - 44.0"	49.2"	39.4"	4.7"/6.0"	21.2"	3.2"	1.6"	11.3"	363lb (165kg)	III
SYPH50T.135	11,000lb (5,000kg)	16.2" - 48.0"	53.2"	43.3"	4.7"/6.0"	21.2"	3.2"	1.65"	11.3"	385lb (175kg)	III
SYPH55T.120	12,100lb (5,500kg)	18.1" - 41.3"	47.2"	43.3"	4.7"/6.0"	26.5"	4.0"	2.0"	14.5"	513lb (233kg)	IV
SYPH55T.150	12,100lb (5,500kg)	18.1" - 53.2"	59.0"	51.2"	4.7"/6.0"	26.5"	4.0"	2.0"	14.5"	601lb (273kg)	IV
SYPH55T.170	12,100lb (5,500kg)	18.1" - 61.0"	66.9"	59.0"	4.7"/6.0"	26.5"	4.0"	2.0"	14.5"	667lb (303kg)	IV
SYPH70T.120	15,400lb (7,000kg)	18.1" - 41.3"	47.2"	43.3"	4.7"/6.0"	26.5"	4.0"	2.1"	14.1"	577lb (262kg)	IV
SYPH70T.150	15,400lb (7,000kg)	18.1" - 53.2"	59.0"	53.1"	4.7"/6.0"	26.5"	4.0"	2.1"	14.1"	654lb (297kg)	IV
SYPH70T.180	15,400lb (7,000kg)	18.1" - 63.4"	66.9"	40.6"	4.7"/6.0"	26.5"	4.0"	2.1"	14.0"	755lb (343kg)	IV
SYPH70T.200	15,400lb (7,000kg)	18.1" - 71.3"	78.7"	59.0"	4.7"/6.0"	26.5"	4.0"	2.0"	14.0"	856lb (389kg)	IV
SYPH70T.220	15,400lb (7,000kg)	18.1" - 79.1"	86.6"	67.0"	4.7"/6.0"	26.5"	4.0"	2.0"	14.0"	889lb (404kg)	IV
SYPH80T.120	17,600lb (8,000kg)	18.1" - 41.3"	47.2"	43.3"	4.7"/6.0"	26.5"	4.0"	2.1"	14.1"	588lb (267kg)	IV
SYPH80T.150	17,600lb (8,000kg)	18.1" - 53.2"	59.0"	53.1"	4.7"/6.0"	26.5"	4.0"	2.1"	14.1"	665lb (302kg)	IV
SYPH80T.180	17,600lb (8,000kg)	18.1" - 63.4"	70.9"	40.6"	4.7"/6.0"	26.5"	4.0"	2.1"	14.1"	768lb (349kg)	IV
SYPH80T.200	17,600lb (8,000kg)	18.1" - 71.3"	78.7"	59.0"	4.7"/6.0"	26.5"	4.0"	2.0"	14.0"	872lb (396kg)	IV
SYPH80T.220	17,600lb (8,000kg)	18.1" - 79.1"	86.6"	67.0"	4.7"/6.0"	26.5"	4.0"	2.0"	14.0"	911lb (414kg)	IV

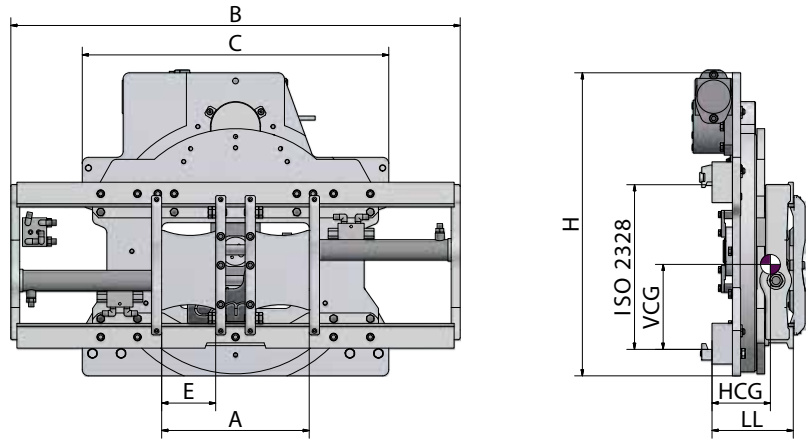
AVAILABLE ON REQUEST

Load backrest

2.3 ROTATING FORK POSITIONERS WITH FEM FORK CARRIERS 360° PHR

TECHNICAL DETAILS:

- C - Minimal width lift truck carriage
- Prices exclude forks
- Technical data without forks
- Without sidershifter
- Maximum advised fork length 1400 mm
- Standard lift truck fork can be easily fitted



Model	Capacity 24" (600mm) Load Center	A Opening Range	B	C	E Min/Max	H	LL	HCG	VCG	Weight	Mounting Class
SYPHR25.092	5,500lb (2,500kg)	14.2" - 33.5"	36.2"	29.5"	4.0"/4.9"	26.7"	7.8"	3.1"	11.2"	568lb (258kg)	II
SYPHR25.102	5,500lb (2,500kg)	14.2" - 37.4"	40.2"	29.5"	4.0"/4.9"	26.7"	7.8"	3.2"	11.1"	581lb (264kg)	II
SYPHR25.110	5,500lb (2,500kg)	14.2" - 40.6"	43.3"	29.5"	4.0"/4.9"	26.7"	7.8"	3.3"	11.0"	590lb (268kg)	II
SYPHR25.115	5,500lb (2,500kg)	14.2" - 46.5"	45.3"	29.5"	4.0"/4.9"	26.7"	7.8"	3.5"	10.9"	627lb (285kg)	II
SYPHR35.110	6,500lb (3,000kg)	16.9" - 40.6"	43.3"	35.4"	4.7"/5.1"	28.9"	8.4"	4.3"	12.2"	922lb (419kg)	III
SYPHR35.115	6,500lb (3,000kg)	16.9" - 42.5"	45.3"	35.4"	4.7"/5.1"	28.9"	8.4"	4.4"	12.2"	935lb (425kg)	III
SYPHR35.125	6,500lb (3,000kg)	16.9" - 46.5"	49.2"	35.4"	4.7"/5.1"	28.9"	8.4"	4.6"	12.3"	979lb (445kg)	III

Options

Separate sidershifter 4" + 4" for ISO/Class II

Separate sidershifter 4" + 4" for ISO/Class III

Quick-release lower mountings, Class II or Class III

AVAILABLE ON REQUEST

Load backrest

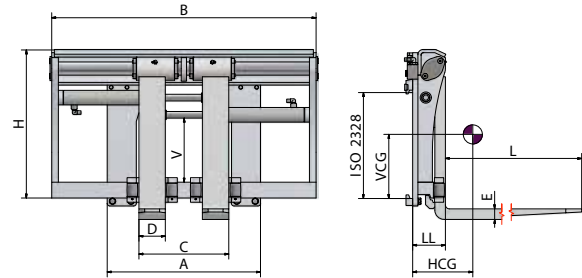
*Attachment not recommended for clamping between forks

FORK POSITIONERS

2.4 FORK POSITIONERS WITH PIN-TYPE FORKS AND INTEGRATED SIDESHIFTER PJ-T

TECHNICAL DETAILS:

- Prices include forks
- Technical data including forks
- Capacity on forks
- C - Minimal width lift truck carriage
- Self-lubricating upper sliding bushes
- With integrated sideshifting
- With chromed rounded upper bars



Model	Capacity 24" (600mm) Load Center	A Opening Range	B	C	Forks LxDxE	V	H	LL	HCG	VCG	Weight	Mounting Class
SYPJ20T.090	3,600lb (1,635kg)	13.4" - 30.7"	35.4"	24.4"	47.2"x4"x1.6"	8.3"	22.2"	4.9"	8.7"	7.2"	495lb (225kg)	II
SYPJ20T.095	3,600lb (1,635kg)	13.4" - 32.7"	37.4"	24.4"	47.2"x4"x1.6"	8.3"	22.2"	4.9"	8.5"	7.3"	506lb (230kg)	II
SYPJ20T.100	3,600lb (1,635kg)	13.4" - 34.6"	40.8"	24.4"	47.2"x4"x1.6"	8.3"	22.2"	4.9"	8.7"	7.8"	513lb (233kg)	II
SYPJ20T.105	3,600lb (1,635kg)	13.4" - 36.6"	41.3"	28.3"	47.2"x4"x1.6"	8.3"	22.2"	4.9"	8.3"	7.5"	519lb (236kg)	II
SYPJ20T.110	3,600lb (1,635kg)	13.4" - 38.6"	43.3"	28.3"	47.2"x4"x1.6"	8.3"	22.2"	4.9"	8.2"	7.6"	526lb (239kg)	II
SYPJ20T.115	3,600lb (1,635kg)	13.4" - 40.6"	45.3"	28.3"	47.2"x4"x1.6"	8.3"	22.2"	4.9"	8.0"	7.7"	530lb (241kg)	II
SYPJ25T.090	5,500lb (2,500kg)	13.4" - 30.7"	35.4"	24.4"	47.2"x4"x1.6"	8.9"	22.2"	4.9"	9.6"	6.9"	484lb (220kg)	II
SYPJ25T.095	5,500lb (2,500kg)	13.4" - 32.7"	37.4"	24.4"	47.2"x4"x1.6"	8.9"	22.2"	4.9"	9.5"	7.0"	495lb (225kg)	II
SYPJ25T.100	5,500lb (2,500kg)	13.4" - 34.6"	40.8"	24.4"	47.2"x4"x1.6"	8.9"	22.2"	4.9"	9.4"	7.0"	502lb (228kg)	II
SYPJ25T.105	5,500lb (2,500kg)	13.4" - 36.6"	41.3"	28.3"	47.2"x4"x1.6"	8.9"	22.2"	4.9"	9.4"	7.2"	506lb (230kg)	II
SYPJ25T.110	5,500lb (2,500kg)	13.4" - 38.6"	43.3"	28.3"	47.2"x4"x1.6"	8.9"	22.2"	4.9"	8.5"	7.9"	517lb (235kg)	II
SYPJ25T.115	5,500lb (2,500kg)	13.4" - 40.6"	45.3"	28.3"	47.2"x4"x1.6"	8.9"	22.2"	4.9"	9.1"	7.4"	526lb (239kg)	II
SYPJ25T.125	5,500lb (2,500kg)	13.4" - 44.5"	49.2"	28.3"	47.2"x4"x1.6"	8.9"	22.2"	4.9"	9.1"	7.4"	541lb (246kg)	II
SYPJ25T.130	5,500lb (2,500kg)	13.4" - 46.5"	51.2"	28.3"	47.2"x4"x1.6"	8.9"	22.2"	4.9"	9.1"	7.4"	559lb (254kg)	II
SYPJ25T.150	5,500lb (2,500kg)	13.4" - 54.3"	59.1"	28.3"	47.2"x4"x1.6"	8.9"	22.2"	4.9"	9.0"	7.5"	574lb (261kg)	II
SYPJ35T.110	6,500lb (3,000kg)	13.4" - 38.6"	43.3"	28.3"	47.2"x4.7"x1.8"	15.1"	30.0"	5.5"	8.8"	7.8"	669lb (304kg)	III
SYPJ35T.115	6,500lb (3,000kg)	13.4" - 40.6"	45.3"	28.3"	47.2"x4.7"x1.8"	15.1"	30.0"	5.5"	8.7"	7.9"	678lb (308kg)	III
SYPJ35T.120	6,500lb (3,000kg)	13.4" - 42.5"	47.2"	28.3"	47.2"x4.7"x1.8"	15.1"	30.0"	5.5"	8.5"	8.0"	686lb (312kg)	III
SYPJ35T.130	6,500lb (3,000kg)	13.4" - 46.5"	51.2"	28.3"	47.2"x4.7"x1.8"	15.1"	30.0"	5.5"	8.5"	8.1"	735lb (334kg)	III
SYPJ35T.150	6,500lb (3,000kg)	13.4" - 54.3"	59.1"	28.3"	47.2"x4.7"x1.8"	15.1"	30.0"	5.5"	8.6"	9.7"	733lb (333kg)	III
SYPJ50T.115	10,000lb (4,600kg)	15.0" - 40.6"	45.3"	33.5"	47.2"x4.9"x2.0"	12.4"	30.0"	5.9"	8.6"	8.2"	891lb (405kg)	III
SYPJ50T.125	10,000lb (4,600kg)	15.0" - 44.5"	49.2"	33.5"	47.2"x4.9"x2.0"	12.4"	30.0"	5.9"	8.5"	8.5"	902lb (410kg)	III
SYPJ50T.140	10,000lb (4,600kg)	15.0" - 50.4"	55.1"	33.5"	47.2"x4.9"x2.0"	12.4"	30.0"	5.9"	8.3"	8.8"	926lb (421kg)	III
SYPJ50T.150	10,000lb (4,600kg)	15.0" - 54.3"	59.1"	33.5"	47.2"x4.9"x2.0"	12.4"	30.0"	5.9"	8.2"	8.8"	979lb (445kg)	III
SYPJ50T.170	10,000lb (4,600kg)	15.0" - 62.2"	66.9"	33.5"	47.2"x4.9"x2.0"	12.4"	30.0"	5.9"	8.0"	10.4"	999lb (454kg)	III
SYPJ55T.140	11,000lb (5,000kg)	15.0" - 49.4"	55.1"	33.5"	47.2"x5.9"x2.4"	15.0"	31.9"	6.5"	8.5"	10.0"	1,067lb (485kg)	IV
SYPJ55T.150	11,000lb (5,000kg)	15.0" - 53.3"	59.1"	33.5"	47.2"x5.9"x2.4"	15.0"	31.9"	6.5"	8.2"	9.9"	1,096lb (498kg)	IV
SYPJ55T.170	11,000lb (5,000kg)	15.0" - 61.2"	66.9"	33.5"	47.2"x5.9"x2.4"	15.0"	31.9"	6.5"	7.9"	9.9"	1,144lb (520kg)	IV

AVAILABLE ON REQUEST

Load backrest

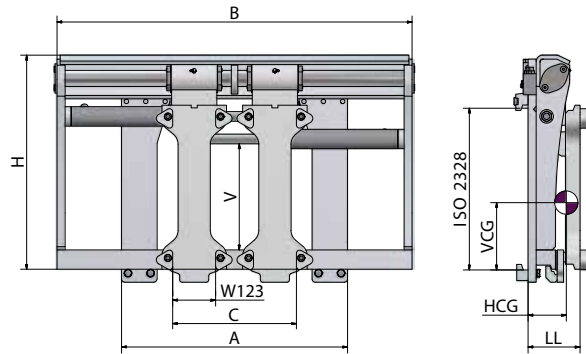
Class B forks

*Attachment not recommended for clamping between forks

2.5 FORK POSITIONERS WITH BAR-MOUNTED FEM FORK CARRIERS WITH INTEGRATED SIDESHIFTER PJA

TECHNICAL DETAILS:

- C – Minimal width lift truck carriage
- Prices exclude forks
- Technical data without forks
- Standard lift truck forks can be easily fitted
- Self-lubricating upper sliding bushes
- With integrated sideshifting
- With chromed round upper bar



Model	Capacity 24" (600mm) Load Center	A Opening Range	B	C	Fork Width Range E123	V	H	LL	HCG	VCG	Weight	Mounting Class
SYPJA20T.090P	3,600lb (1,635kg)	15.0" - 31.1"	35.4"	24.4"	3.9"-4.7"-5.1"	8.3"	25.2"	6.1"	2.0"	9.4"	341lb (155kg)	II
SYPJA20T.095P	3,600lb (1,635kg)	15.0" - 33.1"	37.4"	24.4"	3.9"-4.7"-5.1"	8.3"	25.2"	6.1"	2.0"	9.4"	350lb (159kg)	II
SYPJA20T.10PP	3,600lb (1,635kg)	15.0" - 35.0"	39.4"	24.4"	3.9"-4.7"-5.1"	8.3"	25.2"	6.1"	1.9"	9.5"	354lb (161kg)	II
SYPJA20T.105P	3,600lb (1,635kg)	15.0" - 37.0"	41.3"	28.3"	3.9"-4.7"-5.1"	8.3"	25.2"	6.1"	1.9"	9.6"	359lb (163kg)	II
SYPJA20T.110P	3,600lb (1,635kg)	15.0" - 39.0"	43.3"	28.3"	3.9"-4.7"-5.1"	8.3"	25.2"	6.1"	1.9"	9.5"	363lb (165kg)	II
SYPJA20T.115P	3,600lb (1,635kg)	15.0" - 40.1"	45.3"	28.3"	3.9"-4.7"-5.1"	8.3"	25.2"	6.1"	1.9"	9.6"	365lb (166kg)	II
SYPJA25T.090P	5,500lb (2,500kg)	15.0" - 31.1"	35.4"	24.4"	3.9"-4.7"-5.1"	8.9"	25.3"	6.1"	2.8"	11.5"	374lb (170kg)	II
SYPJA25T.095P	5,500lb (2,500kg)	15.0" - 33.1"	37.4"	24.4"	3.9"-4.7"-5.1"	8.9"	25.3"	6.1"	2.8"	11.6"	381lb (173kg)	II
SYPJA25T.100P	5,500lb (2,500kg)	15.0" - 35.0"	39.4"	24.4"	3.9"-4.7"-5.1"	8.9"	25.3"	6.1"	2.7"	11.6"	385lb (175kg)	II
SYPJA25T.105P	5,500lb (2,500kg)	15.0" - 37.0"	41.3"	28.3"	3.9"-4.7"-5.1"	8.9"	25.3"	6.1"	2.7"	11.7"	389lb (177kg)	II
SYPJA25T.110P	5,500lb (2,500kg)	15.0" - 39.0"	43.3"	28.3"	3.9"-4.7"-5.1"	8.9"	25.3"	6.1"	2.7"	11.7"	394lb (179kg)	II
SYPJA25T.115P	5,500lb (2,500kg)	15.0" - 41.0"	45.3"	28.3"	3.9"-4.7"-5.1"	8.9"	25.3"	6.1"	2.6"	11.7"	400lb (182kg)	II
SYPJA25T.125P	5,500lb (2,500kg)	15.0" - 44.9"	49.2"	28.3"	3.9"-4.7"-5.1"	8.9"	25.3"	6.1"	2.6"	11.7"	409lb (186kg)	II
SYPJA25T.135P	5,500lb (2,500kg)	15.0" - 48.9"	53.1"	28.3"	3.9"-4.7"-5.1"	8.9"	25.3"	6.1"	2.6"	11.8"	420lb (191kg)	II
SYPJA25T.150P	5,500lb (2,500kg)	15.0" - 54.7"	59.1"	28.3"	3.9"-4.7"-5.1"	8.9"	25.3"	6.1"	2.5"	11.8"	438lb (199kg)	II
SYPJA35T.110P	6,500lb (3,000kg)	15.0" - 39.0"	43.3"	28.3"	3.9"-4.7"-5.1"	15.1"	26.0"	6.3"	2.8"	14.0"	473lb (215kg)	III
SYPJA35T.115P	6,500lb (3,000kg)	15.0" - 41.0"	45.3"	28.3"	3.9"-4.7"-5.1"	15.1"	26.0"	6.3"	2.7"	14.1"	484lb (220kg)	III
SYPJA35T.125P	6,500lb (3,000kg)	15.0" - 44.9"	49.2"	28.3"	3.9"-4.7"-5.1"	15.1"	26.0"	6.3"	2.6"	14.2"	491lb (223kg)	III
SYPJA35T.135P	6,500lb (3,000kg)	15.0" - 48.9"	53.1"	28.3"	3.9"-4.7"-5.1"	15.1"	26.0"	6.3"	2.5"	14.3"	508lb (231kg)	III
SYPJA35T.150P	6,500lb (3,000kg)	15.0" - 54.7"	59.1"	28.3"	3.9"-4.7"-5.1"	15.1"	26.0"	6.3"	2.5"	14.3"	506lb (230kg)	III
SYPJA50T.115P	10,000lb (4,600kg)	16.5" - 39.4"	45.3"	33.5"	4.7"-5.1"-5.9"	12.4"	30.7"	6.7"	3.1"	15.9"	629lb (286kg)	III
SYPJA50T.125P	10,000lb (4,600kg)	16.5" - 43.3"	49.2"	33.5"	4.7"-5.1"-5.9"	12.4"	30.7"	6.7"	3.1"	15.9"	649lb (295kg)	III
SYPJA50T.135P	10,000lb (4,600kg)	16.5" - 47.2"	53.1"	33.5"	4.7"-5.1"-5.9"	12.4"	30.7"	6.7"	3.1"	16.0"	675lb (307kg)	III
SYPJA50T.150P	10,000lb (4,600kg)	16.5" - 53.1"	59.1"	33.5"	4.7"-5.1"-5.9"	12.4"	30.7"	6.7"	3.1"	16.0"	697lb (317kg)	III
SYPJA50T.170P	10,000lb (4,600kg)	16.5" - 61.0"	66.9"	33.5"	4.7"-5.1"-5.9"	12.4"	30.7"	6.7"	3.0"	16.0"	689lb (313kg)	III

AVAILABLE ON REQUEST

Load backrest

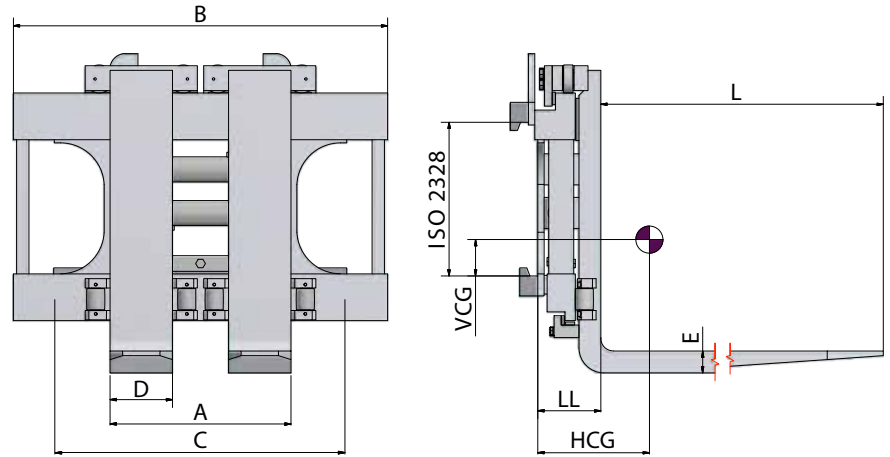
*Attachment not recommended for clamping between forks

FORK POSITIONERS

2.6 HIGH-CAPACITY FORK POSITIONERS WITH WELDED FORKS PR

TECHNICAL DETAILS:

- 1 hydraulic function
- Maximum pressure 2,600 psi
- Recommended oil flow 9 gpm
- Capacity on forks
- Technical data including forks
- Fork positioning with rollers



Model	Capacity 24" (600mm) Load Center	A Opening Range	H	B	Forks LxDxE	LL	HCG	VCG	Weight	Mounting Class
SYPR100.200	22,000lb (10,000kg)	22.8" - 78.9"	50.2"	78.7"	63.0" x 7.9" x 2.8"	7.8"	8.9"	20.5"	2,832lb (1,285kg)	IV
SYPR100.220	22,000lb (10,000kg)	22.8" - 78.7"	50.2"	86.6"	63.0" x 7.9" x 2.8"	7.8"	8.6"	21.1"	2,910lb (1,320kg)	IV
SYPR100.240	22,000lb (10,000kg)	22.8" - 86.6"	50.2"	94.5"	63.0" x 7.9" x 2.8"	7.8"	8.2"	21.9"	3,009lb (1,365kg)	IV
SYPR120.200	26,500lb (12,000kg)	22.8" - 78.9"	51.6"	78.7"	63.0" x 7.9" x 2.8"	7.8"	8.7"	20.0"	3,042lb (1,380kg)	IV
SYPR120.220	26,500lb (12,000kg)	22.8" - 78.7"	51.6"	86.6"	63.0" x 7.9" x 2.8"	7.8"	8.4"	20.6"	3,119lb (1,415kg)	IV
SYPR120.240	26,500lb (12,000kg)	22.8" - 86.6"	51.6"	94.5"	63.0" x 7.9" x 2.8"	7.8"	8.0"	21.12"	3,218lb (1,460kg)	IV

Options

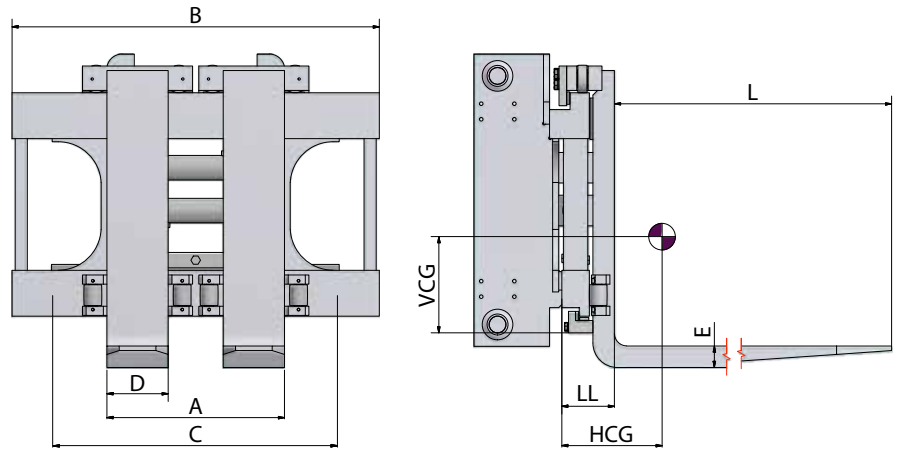
Integrated sideshifting

*Attachment not recommended for clamping between forks

2.7 INTEGRATED HIGH-CAPACITY FORK POSITIONERS WITH WELDED FORKS WITHOUT SIDESHIFTER PRI

TECHNICAL DETAILS:

- 1 hydraulic function
- Maximum pressure 2,600 psi
- Recommended oil flow 9 gpm
- Capacity on forks
- Technical data including forks
- Fork positioning with rollers



Model	Capacity 24" (600mm) Load Center	A Opening Range	H	B	Forks LxDxE	LL	HCG	VCG	Weight	Mounting Class
SYPRI100.200	22,000lb (10,000kg)	22.8" - 78.9"	50.2"	78.7"	63.0" x 7.9" x 2.8"	7.8"	8.9"	20.5"	2,832lb (1,285kg)	IV
SYPRI100.220	22,000lb (10,000kg)	22.8" - 78.7"	50.2"	86.6"	63.0" x 7.9" x 2.8"	7.8"	8.6"	21.1"	2,910lb (1,320kg)	IV
SYPRI100.240	22,000lb (10,000kg)	22.8" - 86.6"	50.2"	94.5"	63.0" x 7.9" x 2.8"	7.8"	8.2"	21.9"	3,009lb (1,365kg)	IV
SYPRI120.200	26,500lb (12,000kg)	22.8" - 78.9"	51.6"	78.7"	63.0" x 7.9" x 2.8"	7.8"	8.7"	20.0"	3,042lb (1,380kg)	IV
SYPRI120.220	26,500lb (12,000kg)	22.8" - 78.7"	51.6"	86.6"	63.0" x 7.9" x 2.8"	7.8"	8.4"	20.6"	3,119lb (1,415kg)	IV
SYPRI120.240	26,500lb (12,000kg)	22.8" - 86.6"	51.6"	94.5"	63.0" x 7.9" x 2.8"	7.8"	8.0"	21.12"	3,218lb (1,460kg)	IV

Options

Integrated sideshifting

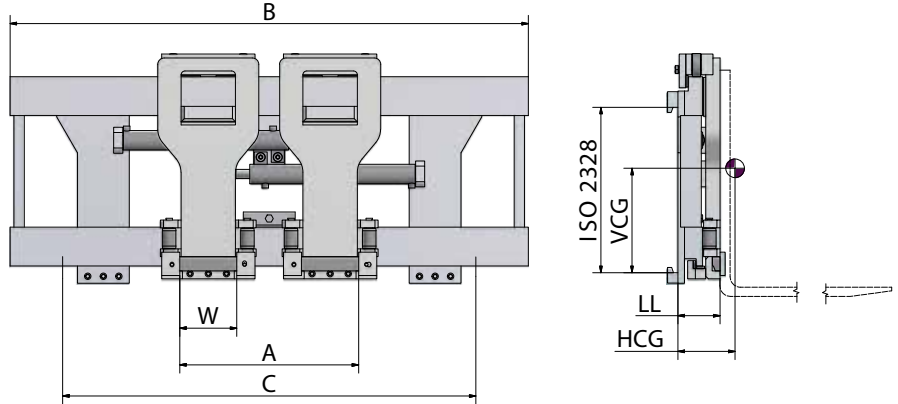
*Attachment not recommended for clamping between forks
 These models are integrated in the mast
 Supplied with side plates and roller shafts
 Mast engineering drawings required

FORK POSITIONERS

2.8 HIGH-CAPACITY FORK POSITIONER WITH FEM FORK CARRIERS WITHOUT SIDESHIFTER PRA

TECHNICAL DETAILS:

- 1 hydraulic function
- Maximum pressure 2,600 psi
- Recommended oil flow 9 gpm
- Capacity on forks
- Technical data including forks
- Fork carriers with rollers



Model	Capacity 24" (600mm) Load Center	A Opening Range	H	B	W Fork Adaptor Width	LL	HCG	VCG	Weight	Mounting Class
SYPra100.200	22,000lb (10,000kg)	24.8" - 71.7"	50.2"	78.7"	7.9"	6.4"	3.0"	16.5"	1,785lb (810kg)	IV
SYPra100.220	22,000lb (10,000kg)	24.8" - 79.5"	50.2"	86.6"	7.9"	6.4"	2.9"	16.1"	1,940lb (880kg)	IV
SYPra100.240	22,000lb (10,000kg)	24.8" - 87.4"	50.2"	94.5"	7.9"	6.4"	2.1"	15.1"	2,094lb (950kg)	IV
SYPra120.200	22,000lb (10,000kg)	24.8" - 71.7"	51.6"	78.7"	7.9"	6.8"	3.3"	16.5"	1,884lb (855kg)	IV
SYPra120.220	22,000lb (10,000kg)	24.8" - 79.5"	51.6"	86.6"	7.9"	6.8"	3.2"	16.3"	2,039lb (925kg)	IV
SYPra120.240	22,000lb (10,000kg)	24.8" - 87.4"	51.6"	94.5"	7.9"	6.8"	3.2"	16.1"	2,193lb (995kg)	IV

Options

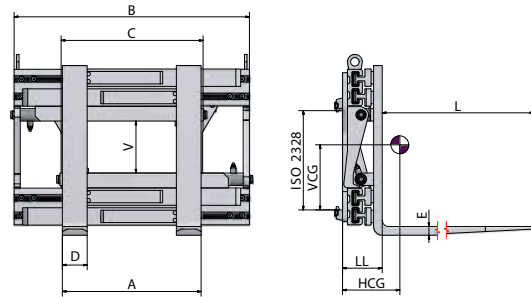
Integrated sideshifting

*Attachment not recommended for clamping between forks

2.9 WIDE OPENING FORK POSITIONERS WITH WELDED FORKS WF

TECHNICAL DETAILS:

- 1 hydraulic function
- Maximum pressure 2,600 psi
- Recommended oil flow 5 gpm
- Welded forks
- Capacity on forks
- Technical data including forks



Model	Capacity 24" (600mm) Load Center	A Opening Range	B	C	Forks LxDxE	V	LL	HCG	VCG	Weight	Mounting Class
SYWF16-A0-12	2,500lb (1,135kg)	22.0" - 68.5"	37.4"	29.5"	47.2" x 4.0" x 1.3"	8.3"	6.5"	8.0"	7.4"	659lb (299kg)	II
SYWF16-B0-12	2,500lb (1,135kg)	22.0" - 72.4"	41.3"	29.5"	47.2" x 4.0" x 1.3"	8.3"	6.5"	7.5"	7.4"	681lb (309kg)	II
SYWF20-A0-12	3,600lb (1,635kg)	22.0" - 68.5"	37.4"	29.5"	47.2" x 4.0" x 1.6"	8.3"	6.5"	8.7"	7.1"	709lb (322kg)	II
SYWF20-B0-12	3,600lb (1,635kg)	22.0" - 72.4"	41.3"	29.5"	47.2" x 4.0" x 1.6"	8.3"	6.5"	8.5"	7.1"	731lb (332kg)	II
SYWF20-C0-12	3,600lb (1,635kg)	22.0" - 76.4"	45.3"	29.5"	47.2" x 4.0" x 1.6"	8.3"	6.5"	8.3"	7.1"	753lb (342kg)	II
SYWF23-A0-12	4,500lb (2,045kg)	22.0" - 68.5"	37.4"	29.5"	47.2" x 4.0" x 1.6"	8.3"	6.5"	7.8"	7.1"	716lb (325kg)	II
SYWF23-B0-12	4,500lb (2,045kg)	22.0" - 72.4"	41.3"	29.5"	47.2" x 4.0" x 1.6"	8.3"	6.5"	7.6"	7.1"	738lb (335kg)	II
SYWF23-C0-12	4,500lb (2,045kg)	22.0" - 76.4"	45.3"	29.5"	47.2" x 4.0" x 1.6"	8.3"	6.5"	7.4"	7.1"	760lb (345kg)	II
SYWF30-A0-12	5,500lb (2,500kg)	22.0" - 72.4"	41.3"	31.5"	47.2" x 4.7" x 1.8"	11.2"	7.0"	7.9"	8.4"	861lb (391kg)	III
SYWF30-B0-12	5,500lb (2,500kg)	22.0" - 76.4"	45.3"	35.4"	47.2" x 4.7" x 1.8"	11.2"	7.0"	7.7"	8.4"	884lb (401kg)	III
SYWF30-C0-12	5,500lb (2,500kg)	22.0" - 82.7"	52.0"	35.4"	47.2" x 4.7" x 1.8"	11.1"	7.0"	7.4"	8.4"	921lb (418kg)	III
SYWF40-A0-12	7,000lb (3,180kg)	22.0" - 76.4"	45.3"	35.4"	47.2" x 4.7" x 2.0"	9.4"	8.3"	7.1"	8.1"	1311lb (595kg)	III
SYWF40-B0-12	7,000lb (3,180kg)	22.0" - 82.7"	52.0"	39.4"	47.2" x 4.7" x 2.0"	9.4"	8.3"	7.0"	8.1"	1349lb (612kg)	III
SYWF40-C0-12	7,000lb (3,180kg)	22.0" - 94.5"	63.0"	41.3"	47.2" x 4.7" x 2.0"	9.4"	8.3"	6.6"	8.1"	1410lb (640kg)	III
SYWF45-A0-12	8,500lb (3,860kg)	22.0" - 76.4"	45.3"	35.4"	47.2" x 6.0" x 2.0"	9.4"	8.3"	7.0"	8.0"	1344lb (610kg)	III
SYWF45-B0-12	8,500lb (3,860kg)	22.0" - 82.7"	52.0"	39.4"	47.2" x 6.0" x 2.0"	9.4"	8.3"	6.9"	8.0"	1382lb (627kg)	III
SYWF45-C0-12	8,500lb (3,860kg)	22.0" - 94.5"	63.0"	41.3"	47.2" x 6.0" x 2.0"	9.4"	8.3"	6.6"	8.0"	1444lb (655kg)	III
SYWF55-A0-12	10,800lb (4,910kg)	22.0" - 82.7"	52.0"	39.4"	47.2" x 6.0" x 2.3"	13.0"	8.7"	7.3"	9.8"	1448lb (657kg)	IV
SYWF55-B0-12	10,800lb (4,910kg)	22.0" - 94.5"	63.0"	41.3"	47.2" x 6.0" x 2.3"	13.0"	8.7"	6.9"	9.8"	1510lb (685kg)	IV
SYWF65-A0-12	14,300lb (6,500kg)	22.0" - 94.5"	63.0"	41.3"	47.2" x 6.0" x 2.3"	13.0"	9.3"	7.1"	9.8"	1796lb (815kg)	IV
SYWF65-B0-12	14,300lb (6,500kg)	22.0" - 102.4"	70.9"	47.2"	47.2" x 6.0" x 2.3"	13.0"	9.3"	6.8"	9.8"	1851lb (840kg)	IV

Options

2 hydraulic functions – Integrated sideshifting

2 hydraulic functions – Independent arm control

Separate sideshifting 8" for mounting Class II

Quick-release lower mountings, Class II or Class III

Separate sideshifting 8" for mounting Class III

Quick-release lower mountings, Class IV

Separate sideshifting 8" for mounting Class IV

AVAILABLE ON REQUEST

Load backrest

Class B mounting fork

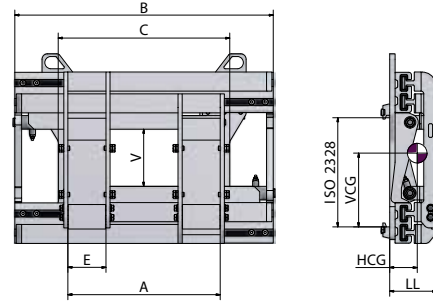
*Attachment not recommended for clamping between forks

FORK POSITIONERS

2.10 WIDE OPENING FORK POSITIONERS WITH FEM FORK CARRIERS WA

TECHNICAL DETAILS:

- 1 hydraulic function
- Maximum pressure 2,600 psi
- Recommended oil flow 5 gpm
- 60" maximum fork length. For longer lengths consult TVH
- Standard lift truck forks can be easily fitted
- Without sidershifter



Model	Capacity 24" (600mm) Load Center	A Opening Range	B	C	V	E	LL	HCG	VCG	Weight	Mounting Class
SYWA16-A0	2,500lb (1,135kg)	22.0" - 68.5"	37.4"	29.5"	8.3"	5.1"	6.5"	2.8"	9.8"	533lb (242kg)	II
SYWA16-B0	2,500lb (1,135kg)	22.0" - 72.4"	41.3"	29.5"	8.3"	5.1"	6.5"	2.8"	9.8"	555lb (252kg)	II
SYWA20-A0	3,600lb (1,635kg)	22.0" - 68.5"	37.4"	29.5"	8.3"	5.1"	6.5"	2.8"	9.7"	586lb (266kg)	II
SYWA20-B0	3,600lb (1,635kg)	22.0" - 72.4"	41.3"	29.5"	8.3"	5.1"	6.5"	2.8"	9.7"	608lb (276kg)	II
SYWA20-C0	3,600lb (1,635kg)	22.0" - 76.4"	45.3"	29.5"	8.3"	5.1"	6.5"	2.8"	9.7"	630lb (286kg)	II
SYWA23-A0	4,500lb (2,045kg)	22.0" - 68.5"	37.4"	29.5"	8.3"	5.1"	6.5"	2.8"	9.7"	593lb (269kg)	II
SYWA23-B0	4,500lb (2,045kg)	22.0" - 72.4"	41.3"	29.5"	8.3"	5.1"	6.5"	2.8"	9.7"	615lb (279kg)	II
SYWA23-C0	4,500lb (2,045kg)	22.0" - 76.4"	45.3"	29.5"	8.3"	5.1"	6.5"	2.8"	9.7"	637lb (289kg)	II
SYWA30-A0	5,500lb (2,500kg)	22.0" - 72.4"	41.3"	31.5"	11.2"	5.9"	7.4"	3.0"	11.3"	648lb (294kg)	III
SYWA30-B0	5,500lb (2,500kg)	22.0" - 76.4"	45.3"	35.4"	11.2"	5.9"	7.4"	3.0"	11.3"	670lb (304kg)	III
SYWA30-C0	5,500lb (2,500kg)	22.0" - 82.7"	52.0"	35.4"	11.1"	5.9"	7.4"	3.0"	11.3"	707lb (321kg)	III
SYWA40-A0	7,000lb (3,180kg)	22.0" - 76.4"	45.3"	35.4"	9.4"	5.9"	8.8"	3.7"	12.2"	974lb (442kg)	III
SYWA40-B0	7,000lb (3,180kg)	22.0" - 82.7"	52.0"	39.4"	9.4"	5.9"	8.8"	3.7"	12.2"	1,011lb (459kg)	III
SYWA40-C0	7,000lb (3,180kg)	22.0" - 94.5"	63.0"	41.3"	9.4"	5.9"	8.8"	3.7"	12.2"	1,073lb (487kg)	III
SYWA45-A0	8,500lb (3,860kg)	22.0" - 76.4"	45.3"	35.4"	9.4"	5.9"	8.8"	3.7"	12.1"	1,005lb (456kg)	III
SYWA45-B0	8,500lb (3,860kg)	22.0" - 82.7"	52.0"	39.4"	9.4"	5.9"	8.8"	3.7"	12.1"	1,042lb (473kg)	III
SYWA45-C0	8,500lb (3,860kg)	22.0" - 94.5"	63.0"	41.3"	9.4"	5.9"	8.8"	3.7"	12.1"	1,104lb (501kg)	III
SYWA55-A0	10,800lb (4,910kg)	22.0" - 82.7"	52.0"	39.4"	13.0"	7.9"	9.3"	4.1"	11.4"	1,108lb (530kg)	IV
SYWA55-B0	10,800lb (4,910kg)	22.0" - 94.5"	63.0"	41.3"	13.0"	7.9"	9.3"	4.1"	11.4"	1,230lb (558kg)	IV
SYWA65-A0	14,300lb (6,500kg)	22.0" - 94.5"	63.0"	41.3"	13.0"	7.9"	9.8"	4.0"	11.6"	1,774lb (805kg)	IV
SYWA65-B0	14,300lb (6,500kg)	22.0" - 102.4"	70.9"	47.2"	13.0"	7.9"	9.8"	4.0"	11.6"	1,829lb (830kg)	IV

Options

2 hydraulic functions – Integrated sidershifting

2 hydraulic functions – Independent arm control

Separate sidershifting 8" for mounting Class II

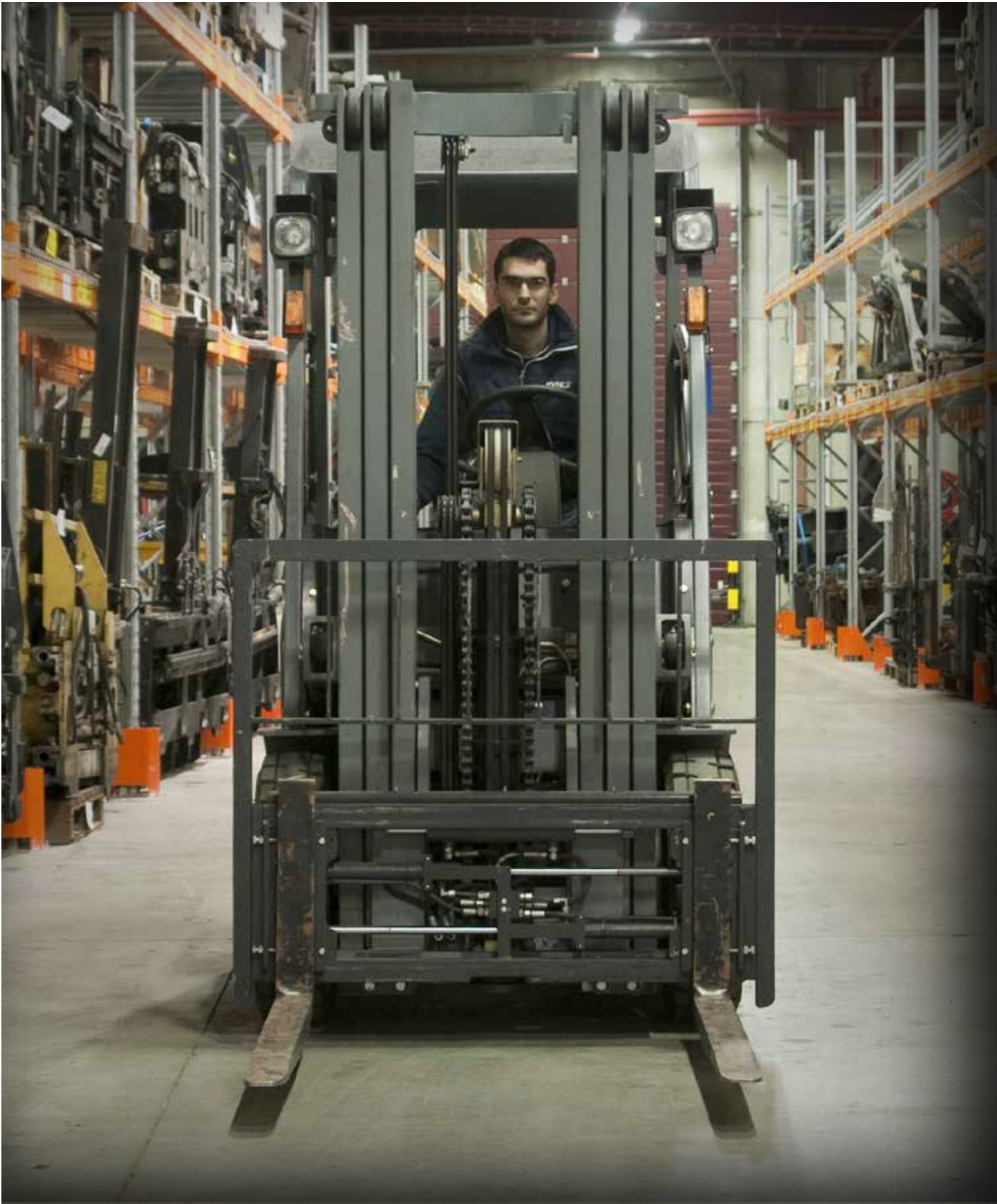
Quick-release lower mountings, Class II or Class III

Separate sidershifting 8" for mounting Class III

Quick-release lower mountings, Class IV

Separate sidershifting 8" for mounting Class IV

*Attachment not recommended for clamping between forks





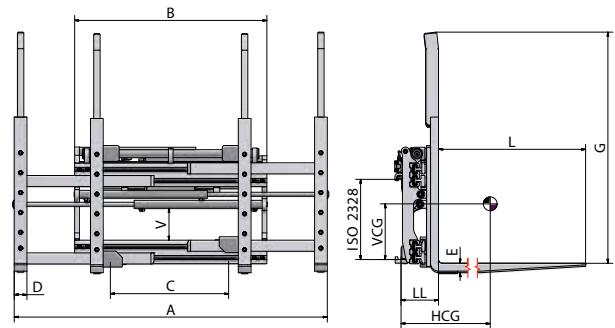
CHAPTER OVERVIEW

- | | | | |
|------------|---|--------------|----|
| 3.1 | Four-fork positioners for multi-pallets | <i>UDPS</i> | 27 |
| 3.2 | Four-fork positioners for multi-pallets | <i>UDPSL</i> | 28 |

3.1 FOUR-FORK POSITIONERS FOR MULTI-PALLETS UDPS

TECHNICAL DETAILS:

- 2 hydraulic functions
- Maximum pressure 2,600 psi
- Recommended oil flow 5 gpm
- Separate sideshifter 8"
- Integrated flow divider
- Bolted forks
- C – Minimal width lift truck carriage



36" X 36" BEVERAGE PALLETS

Model	Capacity 24" (600mm) Load Center	A Opening Range	B	C	Forks LxDxE	G	V	LL	HCG	VCG	Weight	Mounting Class
SYUDPS16B	3,500lb (1,600kg)	26.0" - 71.7"	37.4"	31.5"	36.0" x 3.2" x 2.0"	48.0"	6.3"	9.1"	7.8"	10.1"	1,157lb (525kg)	II
SYUDPS161B	3,500lb (1,600kg)	26.0" - 81.5"	47.2"	31.5"	36.0" x 3.2" x 2.0"	48.0"	6.3"	9.1"	7.5"	9.9"	1,238lb (562kg)	II
SYUDPS25B	5,500lb (2,500kg)	26.0" - 81.5"	47.2"	33.5"	36.0" x 3.2" x 2.0"	48.0"	7.9"	9.1"	7.4"	9.9"	1,267lb (575kg)	III
SYUDPS32B	7,000lb (3,200kg)	26.0" - 81.5"	47.2"	35.4"	36.0" x 3.2" x 2.0"	48.0"	7.9"	9.1"	7.2"	12.9"	1,289lb (585kg)	III
SYUDPS36B	8,000lb (3,600kg)	26.0" - 81.5"	49.2"	35.4"	36.0" x 3.2" x 2.4"	48.0"	9.8"	10.4"	7.2"	12.4"	1,565lb (710kg)	III
SYUDPS50B	10,000lb (5,000kg)	26.0" - 81.5"	49.2"	35.4"	36.0" x 3.2" x 2.4"	48.0"	9.8"	10.7"	7.2"	14.1"	1,595lb (725kg)	IV

48" X 40" BLOCK AND GMA PALLETS

Model	Capacity 24" (600mm) Load Center	A Opening Range	B	C	Forks LxDxE	G	V	LL	HCG	VCG	Weight	Mounting Class
SYUDPS16G	3,500lb (1,600kg)	26.0" - 71.7"	37.4"	31.5"	42.0" x 3.2" x 2.0"	48.0"	6.3"	9.1"	8.5"	9.9"	1,190lb (540kg)	II
SYUDPS161G	3,500lb (1,600kg)	26.0" - 81.5"	47.2"	31.5"	42.0" x 3.2" x 2.0"	48.0"	6.3"	9.1"	8.2"	9.7"	1,267lb (575kg)	II
SYUDPS25G	5,500lb (2,500kg)	26.0" - 81.5"	47.2"	33.5"	42.0" x 3.2" x 2.0"	48.0"	7.9"	9.1"	8.2"	9.8"	1,300lb (590kg)	III
SYUDPS32G	7,000lb (3,200kg)	26.0" - 81.5"	47.2"	35.4"	42.0" x 3.2" x 2.0"	48.0"	7.9"	9.1"	8.4"	12.6"	1,322lb (600kg)	III
SYUDPS36G	8,000lb (3,600kg)	26.0" - 81.5"	49.2"	35.4"	42.0" x 3.2" x 2.0"	48.0"	9.8"	10.4"	8.9"	11.9"	1,598lb (725kg)	III
SYUDPS50G	10,000lb (5,000kg)	26.0" - 81.5"	49.2"	35.4"	42.0" x 3.2" x 2.4"	48.0"	9.8"	10.7"	8.9"	13.4"	1,631lb (740kg)	IV

44" X 56" CONTAINER PALLETS

Model	Capacity 24" (600mm) Load Center	A Opening Range	B	C	Forks LxDxE	G	V	LL	HCG	VCG	Weight	Mounting Class
SYUDPS16C	3,500lb (1,600kg)	26.0" - 71.7"	37.4"	31.5"	54.0" x 3.2" x 2.0"	48.0"	6.3"	9.1"	10.9"	9.7"	1,234lb (560kg)	II
SYUDPS161C	3,500lb (1,600kg)	26.0" - 81.5"	47.2"	31.5"	54.0" x 3.2" x 2.0"	48.0"	6.3"	9.1"	10.6"	9.5"	1,311lb (595kg)	II
SYUDPS25C	5,500lb (2,500kg)	26.0" - 81.5"	47.2"	33.5"	54.0" x 3.2" x 2.0"	48.0"	7.9"	9.1"	10.6"	9.5"	1,344lb (610kg)	III
SYUDPS32C	7,000lb (3,200kg)	26.0" - 81.5"	47.2"	35.4"	54.0" x 3.2" x 2.0"	48.0"	7.9"	9.1"	10.5"	9.5"	1,366lb (620kg)	III
SYUDPS36C	8,000lb (3,600kg)	26.0" - 81.5"	49.2"	35.4"	54.0" x 3.2" x 2.4"	48.0"	9.8"	10.4"	10.7"	11.7"	1,642lb (745kg)	III
SYUDPS50C	10,000lb (5,000kg)	26.0" - 81.5"	49.2"	35.4"	54.0" x 3.2" x 2.4"	48.0"	9.8"	10.7"	10.7"	13.2"	1,675lb (760kg)	IV

AVAILABLE ON REQUEST

Models without sideshifter

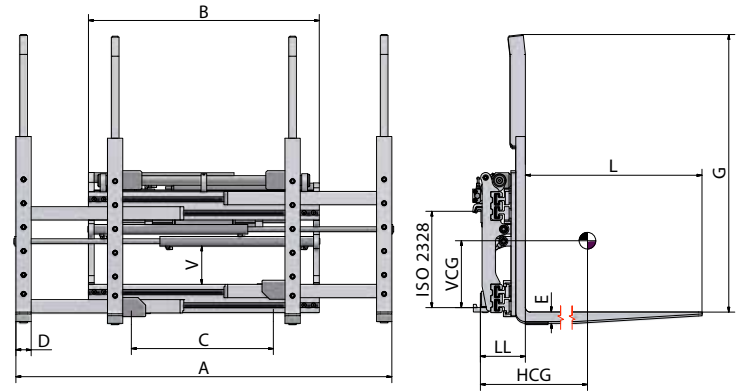
*Attachment not recommended for clamping between forks

MULTI-FORK POSITIONERS

3.2 FOUR-FORK POSITIONERS FOR MULTI-PALLETS UDPSL

TECHNICAL DETAILS:

- 2 hydraulic functions
- Maximum pressure 2,600 psi
- Recommended oil flow 5 gpm
- Separate sideshifter 8"
- Integrated flow divider
- Bolted forks
- C – Minimal width lift truck carriage



36" X 36" BEVERAGE PALLETS

Model	Capacity 48" (1,200mm) Load Center	A Opening Range	B	C	Forks LxDxE	G	V	LL	HCG	VCG	Weight	Mounting Class
SYUDPS1212B	2,750lb (1,250kg)	26.0"/81.5"	47.2"	33.5"	71.0" x 3.2" x 2.0"	48.0"	7.9"	9.1"	16.2"	12.3"	1,642lb (745kg)	III
SYUDPS1812B	4,000lb (1,800kg)	26.0"/81.5"	49.2"	37.4"	71.0" x 3.2" x 2.6"	48.0"	9.8"	10.6"	17.6"	12.2"	1,917lb (870kg)	III
SYUDPS1812-4B	4,000lb (1,800kg)	26.0"/81.5"	49.2"	37.4"	71.0" x 3.2" x 2.6"	48.0"	9.8"	11.2"	17.5"	13.0"	1,940lb (880kg)	IV
SYUDPS2612B	5,700lb (2,600kg)	26.0"/81.5"	51.2"	37.4"	71.0" x 3.2" x 2.8"	48.0"	9.8"	10.8"	17.3"	12.3"	1,966lb (892kg)	III
SYUDPS2612-4B	5,700lb (2,600kg)	26.0"/81.5"	51.2"	37.4"	71.0" x 3.2" x 2.8"	48.0"	9.8"	11.4"	17.2"	12.3"	1,990lb (903kg)	IV

48" X 40" BLOCK AND GMA PALLETS

Model	Capacity 48" (1,200mm) Load Center	A Opening Range	B	C	Forks LxDxE	G	V	LL	HCG	VCG	Weight	Mounting Class
SYUDPS1212G	2,750lb (1,250kg)	27.6"/82.7"	47.2"	33.5"	84.0" x 3.2" x 2.0"	48.0"	7.9"	9.1"	19.9"	12.2"	1,671lb (758kg)	III
SYUDPS1812G	4,000lb (1,800kg)	26.0"/81.5"	49.2"	37.4"	84.0" x 3.2" x 2.6"	48.0"	9.8"	10.6"	20.2"	12.1"	1,973lb (895kg)	III
SYUDPS1812-4G	4,000lb (1,800kg)	26.0"/81.5"	49.2"	37.4"	84.0" x 3.2" x 2.6"	48.0"	9.8"	11.2"	20.3"	12.8"	2,017lb (915kg)	IV
SYUDPS2612G	5,700lb (2,600kg)	26.0"/81.5"	51.2"	37.4"	84.0" x 3.2" x 2.8"	48.0"	9.8"	10.8"	20.1"	11.9"	2,006lb (910kg)	III
SYUDPS2612-4G	5,700lb (2,600kg)	26.0"/81.5"	51.2"	37.4"	84.0" x 3.2" x 2.8"	48.0"	9.8"	11.4"	20.0"	11.7"	2,061lb (935kg)	IV

44" X 56" CONTAINER PALLETS

Model	Capacity 48" (1,200mm) Load Center	A Opening Range	B	C	Forks LxDxE	G	V	LL	HCG	VCG	Weight	Mounting Class
SYUDPS1212C	2,750lb (1,250kg)	26.0"/81.5"	47.2"	33.5"	108.0" x 3.2" x 2.0"	48.0"	7.9"	9.1"	27.8"	11.9"	1,695lb (769kg)	III
SYUDPS1812C	4,000lb (1,800kg)	26.0"/81.5"	49.2"	37.4"	108.0" x 3.2" x 2.6"	48.0"	9.8"	10.6"	27.9"	11.8"	2,094lb (950kg)	III
SYUDPS1812-4C	4,000lb (1,800kg)	26.0"/81.5"	49.2"	37.4"	108.0" x 3.2" x 2.6"	48.0"	9.8"	11.2"	27.7"	12.6"	2,138lb (970kg)	IV
SYUDPS2612C	5,700lb (2,600kg)	26.0"/81.5"	51.2"	37.4"	108.0" x 3.2" x 2.8"	48.0"	9.8"	10.8"	27.7"	11.7"	2,127lb (965kg)	III
SYUDPS2612-4C	5,700lb (2,600kg)	26.0"/81.5"	51.2"	37.4"	108.0" x 3.2" x 2.8"	48.0"	9.8"	11.4"	27.5"	12.5"	2,171lb (985kg)	IV

AVAILABLE ON REQUEST

Models without sideshifter

*Attachment not recommended for clamping between forks





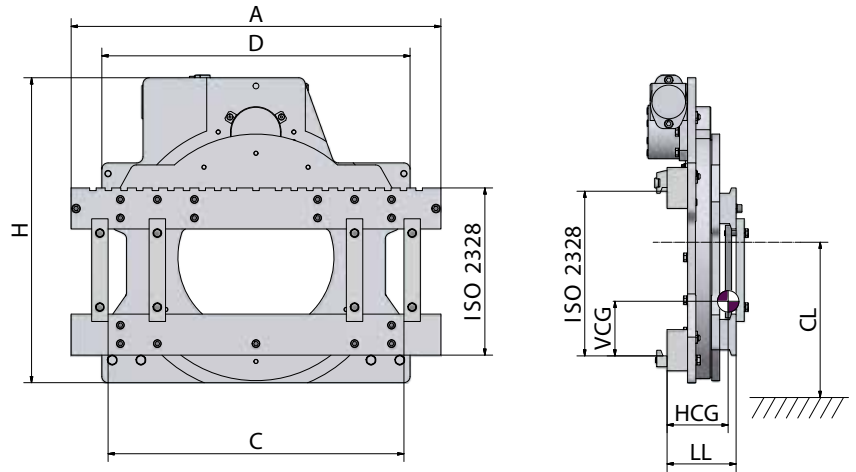
CHAPTER OVERVIEW

4.1	Rotators without sidershifter 360°	<i>(U)PRC</i>	31
4.2	Rotators with sidershifter 360°	<i>(U)PRC-T</i>	32
4.3	Rotators without sidershifter 360° for bins	<i>(U)PRC-DA</i>	33
4.4	Rotators without sidershifter 360° with hydraulic bin retainer	<i>RBC</i>	34
4.5	Plastic container rotators 360°	<i>RLC</i>	35
4.6	Plastic container rotators 180°	<i>RLCA</i>	36

4.1 ROTATORS WITHOUT SIDESHIFTER 360° (U)PRC

TECHNICAL DETAILS:

- 1 hydraulic functions
- Maximum pressure 2,600 psi
- Recommended oil flow 7 gpm
- Fork bar assembly and locking fork pads included
- Without forks



Model	Capacity 24" (600mm) Load Center	A	H	CL	C	D	RPM with GPM 8.5	LL	HCG	VCG	Weight	Torque in/lbs	Mounting Class
SYUPRC10	2,200lb (1,000kg)	35.4"	29.2"	12.4"	8.3"	32.3"	5.5	6.5"	3.1"	11.4"	462lb (210kg)	35,500	II
SYUPRC14	3,000lb (1,365kg)	35.4"	29.2"	12.4"	8.3"	32.3"	5.5	6.7"	3.1"	11.4"	469lb (213kg)	35,500	II
SYUPRC18	4,000lb (1,815kg)	35.4"	29.2"	12.4"	8.3"	32.3"	5.5	6.7"	3.1"	11.4"	473lb (215kg)	35,500	II
SYPRC18D	4,000lb (1,815kg)	35.4"	29.2"	12.4"	8.3"	32.3"	5.5	6.7"	3.1"	11.4"	473lb (215kg)	35,500	II
SYUPRC20	4,500lb (2,045kg)	40.9"	30.5"	12.4"	8.3"	35.2"	4.8	6.7"	3.1"	11.2"	496lb (225kg)	49,000	II
SYPRC22D	5,000lb (2,270kg)	40.9"	30.5"	16.3"	12.2"	35.2"	3.4	6.7"	3.3"	11.2"	672lb (305kg)	60,000	II
SYUPRC22	5,000lb (2,270kg)	45.3"	30.5"	16.3"	12.2"	40.4"	3.4	6.7"	3.3"	11.2"	672lb (305kg)	60,000	II/III
SYPRC28D	6,000lb (2,800kg)	45.3"	30.5"	16.3"	12.2"	40.4"	2.8	6.8"	3.3"	11.2"	715lb (325kg)	60,000	III
SYUPRC30	6,600lb (3,000kg)	45.3"	30.5"	16.3"	12.2"	40.4"	2.8	6.9"	3.3"	12.7"	716lb (325kg)	75,000	III
SYPRC32D	6,600lb (3,000kg)	45.3"	30.5"	16.3"	12.2"	40.4"	2.8	6.8"	3.3"	12.7"	716lb (325kg)	75,000	III
SYUPRC36	8,000lb (3,630kg)	51.2"	33.1"	16.5"	13.0"	45.1"	2.4	7.3"	3.5"	12.5"	970lb (440kg)	86,000	III
SYPRC55D	12,000lb (5,450kg)	51.2"	37.8"	22.5"	15.0"	47.0"	1.5	8.3"	4.3"	14.2"	1,421lb (645kg)	141,000	IV
SYPRC70D	15,000lb (6,810kg)	68.9"	41.7"	23.2"	24.2"	63.6"	1.5	11.2"	6.1"	17.1"	2,458lb (1,115kg)	141,000	IV

Options

Foundry front and back cover

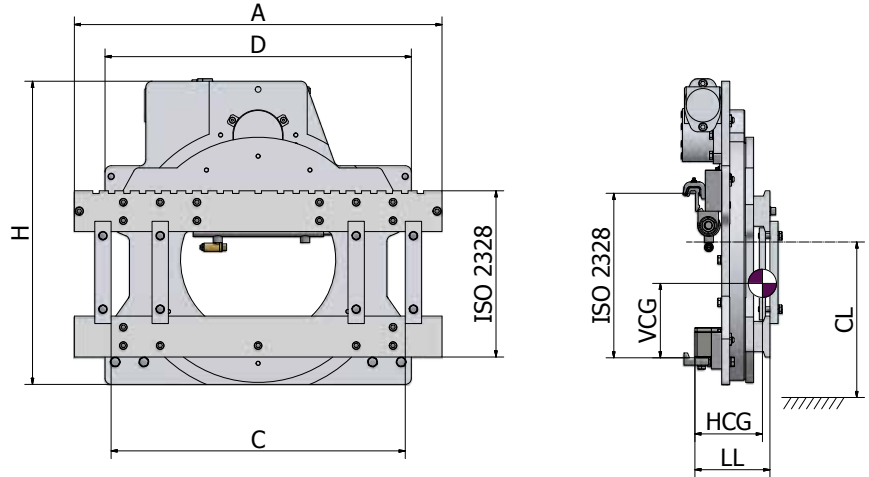
AVAILABLE ON REQUEST

- Foundry kit (front cover, back cover, engine cover)
- Different length of fork bars
- Pin-type fork models
- 180° rotation kit
- Third fork hook

4.2 ROTATORS WITH SIDESHIFTER 360° (U)PRC-T

TECHNICAL DETAILS:

- 2 hydraulic functions
- Maximum pressure 2,600 psi
- Recommended oil flow 7 gpm
- Fork bar assembly and locking fork pads included
- Without forks
- With sideshift



Model	Capacity 24" (600mm) Load Center	A	H	CL	C	D	RPM with GPM 8.5	LL	HCG	VCG	Weight	Torque in/lbs	Mounting Class
SYUPRC10T	2,200lb (1,000kg)	35.4"	29.2"	12.4"	8.3"	32.3"	5.5	6.5"	3.1"	11.5"	462lb (210kg)	35500	II
SYUPRC14T	3,000lb (1,365kg)	35.4"	29.2"	12.4"	8.3"	32.3"	5.5	6.7"	3.1"	11.5"	469lb (213kg)	35500	II
SYUPRC18T	4,000lb (1,815kg)	35.4"	29.2"	12.4"	8.3"	32.3"	5.5	6.7"	3.1"	11.5"	473lb (215kg)	35500	II
SYUPRC20T	4,500lb (2,045kg)	40.9"	30.5"	12.4"	8.3"	35.2"	4.8	6.7"	3.1"	11.3"	496lb (225kg)	49000	II
SYUPRC22T	5,000lb (2,270kg)	45.3"	30.5"	16.3"	12.2"	40.4"	3.4	6.7"	3.3"	11.3"	672lb (305kg)	60000	II/III
SYUPRC30T	6,600lb (3,000kg)	45.3"	30.5"	16.3"	12.2"	40.4"	2.8	6.9"	3.3"	11.3"	716lb (325kg)	75000	III
SYUPRC36T	8,000lb (3,630kg)	51.2"	33.1"	16.5"	13.0"	45.1"	2.4	7.3"	3.5"	12.7"	970lb (440kg)	86000	III
SYPRC55DT	12,000lb (5,450kg)	51.2"	37.8"	22.5"	15.0"	47.0"	1.5	8.3"	4.3"	14.5"	1,421lb (645kg)	141000	IV
SYPRC70DT	15,000lb (6,810kg)	68.9"	41.7"	23.2"	24.2"	63.6"	1.5	11.2"	6.1"	17.2"	2,458lb (1,115kg)	141000	IV

Options

Foundry front and back cover

AVAILABLE ON REQUEST

Foundry kit (front cover, back cover, engine cover)

Different length of fork bars

Pin-type fork models

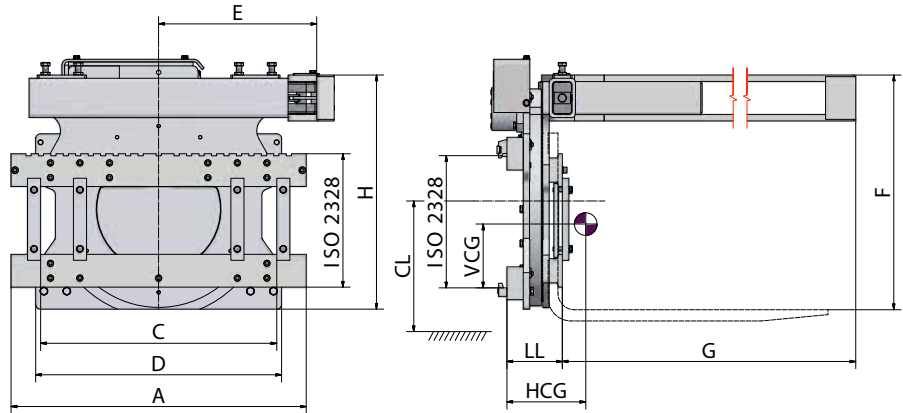
180° rotation kit

Third fork hook

4.3 ROTATORS WITHOUT SIDESHIFTER 360° FOR BINS UPRC-DA

TECHNICAL DETAILS:

- 1 hydraulic functions
- Maximum pressure 2,600 psi
- Recommended oil flow 7 gpm
- Fork bar assembly and locking fork pads included
- Adjustable arm
- Without forks



Model	Capacity 24" (600mm) Load Center	A	H	CL	C	D	E	F	G	RPM with GPM 8.5	LL	HCG	VCG	Weight	Torque in/lbs	Mounting Class
SYUPRC10DA	2,200lb (1,000kg)	35.4"	27.4"	12.4"	8.3"	32.3"	18.9"/27.5"	27.2"	50.0"	5.5	6.5"	3.1"	11.5"	462lb (210kg)	35500	II
SYUPRC14DA	3,000lb (1,365kg)	35.4"	27.4"	12.4"	8.3"	32.3"	18.9"/27.5"	27.2"	50.0"	5.5	6.7"	3.1"	11.5"	469lb (213kg)	35500	II
SYUPRC18DA	4,000lb (1,815kg)	35.4"	27.4"	12.4"	8.3"	32.3"	18.9"/27.5"	27.2"	50.0"	5.5	6.7"	3.1"	11.5"	473lb (215kg)	35500	II
SYUPRC20DA	4,500lb (2,045kg)	40.9"	27.4"	12.4"	8.3"	35.2"	18.9"/27.5"	27.2"	50.0"	4.8	6.7"	3.1"	11.3"	496lb (225kg)	49000	II
SYUPRC22DA	5,000lb (2,270kg)	45.3"	31.7"	16.3"	12.2"	40.4"	18.9"/31.5"	31.5"	50.0"	3.4	6.7"	3.3"	11.3"	672lb (305kg)	60000	II/III
SYUPRC30DA	6,600lb (3,000kg)	45.3"	31.7"	16.3"	12.2"	40.4"	18.9"/31.5"	31.5"	50.0"	2.8	6.9"	3.3"	11.3"	716lb (325kg)	75000	III
SYUPRC36DA	7,900lb (3,600kg)	51.2"	33.1"	16.5"	13.0"	45.1"	18.9"/31.5"	31.5"	50.0"	2.4	7.3"	3.5"	12.7"	970lb (440kg)	86000	III

Options

Foundry front and back cover

AVAILABLE ON REQUEST

Foundry kit (front cover, back cover, engine cover)

Different length of fork bars

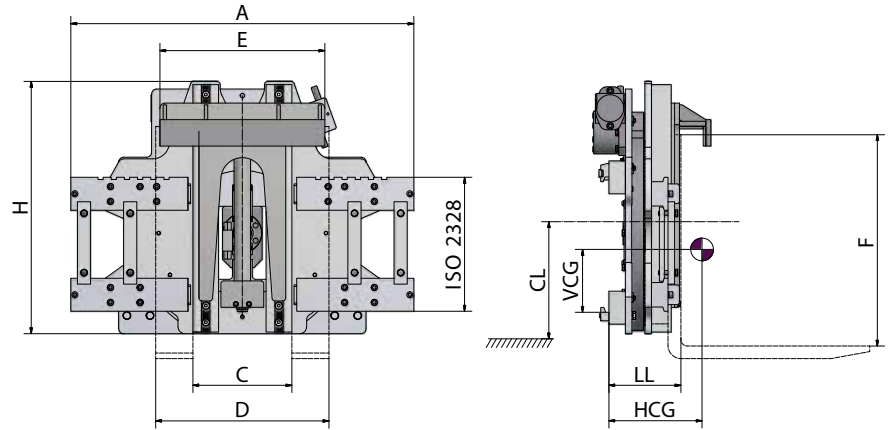
180° rotation kit

Third fork hook

4.4 ROTATORS WITHOUT SIDESHIFTER 360° WITH HYDRAULIC BIN RETAINER RBC

TECHNICAL DETAILS:

- 1 hydraulic functions
- Maximum pressure 2,600 psi
- Recommended oil flow 7 gpm
- Fork bar assembly and locking fork pads included
- Adjustable arm
- Without forks



Model	Capacity 24" (600mm) Load Center	A	H	CL	C	D	E	F	G	Torque in/lbs	RPM with GPM 8.5	LL	HCG	VCG	Weight	Mounting Class
SYRBC.20	4,500lb (2,045kg)	40.9"	32.9"	16.3"	12.6"	37.8"	19.7"	23.2"/39.0"	24.4"/34.6"	49,000	4.8	12.4"	5.3"	12.2"	793lb (360kg)	II
SYRBC.30	6,600lb (3,000kg)	45.3"	32.9"	16.3"	12.6"	42.9"	19.7"	23.2"/39.0"	24.4"/34.6"	75,000	2.8	12.4"	4.8"	14.1"	925lb (420kg)	III

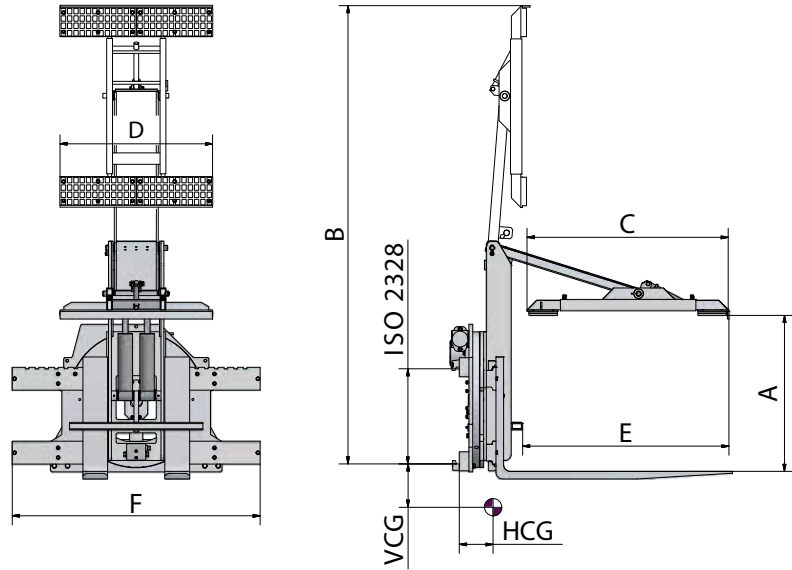
AVAILABLE ON REQUEST

- Different length of fork bars
- 180° rotation kit available
- Separate sideshifting 8"
- Optional horizontal bar

4.5 PLASTIC CONTAINER ROTATORS 360° RLC

TECHNICAL DETAILS:

- 2 hydraulic functions
- Maximum pressure 2,600 psi
- Recommended oil flow 7 gpm
- Without forks



Model	Capacity 24" (600mm) Load Center	A Opening Range	B	C	D	E	F	LL	HCG	VCG	Weight	Mounting Class
SYRLC10	2,200lb (1,000kg)	13.4"/27.8"	96.5"	49.2"	29.9"	49.2"	35.4"	12.8"	9.4"	12.9"	859lb (390kg)	II
SYRLC18	4,000lb (1,800kg)	31.5"/41.3"	94.5"	47.2"	31.5"	47.2"	51.2"	14.2"	9.8"	14.0"	1,058lb (480kg)	III

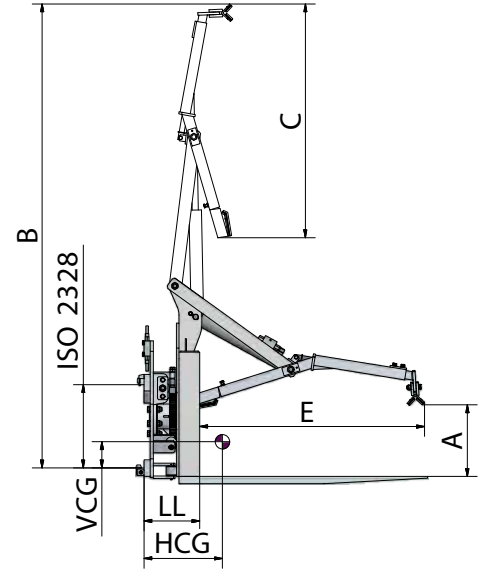
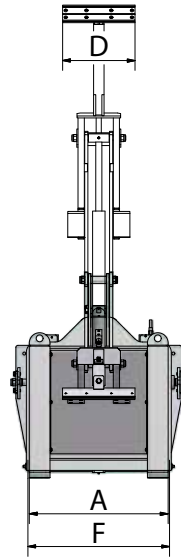
AVAILABLE ON REQUEST

- Different length of fork bars
- 180° rotation kit available
- Separate sideshifting 8"
- Optional horizontal bar

4.6 PLASTIC CONTAINER ROTATORS 180° RLCA

TECHNICAL DETAILS:

- 1 hydraulic function
- Maximum pressure 2,600 psi
- Recommended oil flow 7 gpm
- Includes forks L 47.2"
- Quick-release mountings included



Model	Capacity 24" (600mm) Load Center	A Opening Range	B	C	D	E	F	LL	HCG	VCG	Weight	Mounting Class
SYRLC10A	1800lb (820kg)	22.8"/30.7"	94.5"	47.2"	13.8"	49.2"	26.4"	10.6"	11.4"	13.3"	639lb (290kg)	II





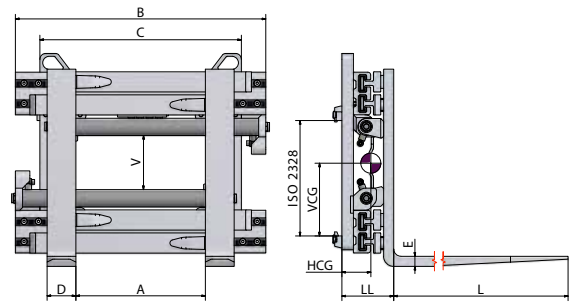
CHAPTER OVERVIEW

5.1	Fork clamps	<i>HF-T</i>	39
5.2	Rotating fork clamps 360°	<i>HFR</i>	41
5.3	Bale clamps, pulp bale clamps	<i>HB-T</i>	43
5.4	Bale clamps, pulp bale clamps 360°	<i>HBR</i>	46
5.5	Appliance and carton clamps – articulating pads	<i>UHEA-T</i>	48

5.1 FORK CLAMPS HF-T

TECHNICAL DETAILS:

- 2 hydraulic functions
- Maximum pressure 2,600 psi
- Recommended oil flow 7 gpm
- Welded forks
- C – Minimal width lift truck carriage
- Models with integrated sideshifting



Model	Capacity 24" (600mm) Load Center	A Opening Range	B	Forks LxDxE	C	V	LL	HCG	VCG	Weight	Mounting Class
SYHF10-A0T-10	1,800lb (820kg)	17.7" - 63.4"	34.3"	39.4" x 4.0" x 1.3"	29.5"	7.7"	7.1"	7.6"	6.9"	687lb (312kg)	II
SYHF10-A0T-12	1,800lb (820kg)	17.7" - 63.4"	34.3"	47.2" x 4.0" x 1.3"	29.5"	7.7"	7.1"	7.9"	6.9"	709lb (322kg)	II
SYHF10-B0T-10*	1,800lb (820kg)	14.2" - 59.0"	37.4"	39.4" x 4.0" x 1.3"	29.5"	7.7"	7.1"	7.5"	6.9"	709lb (322kg)	II
SYHF10-B0T-12*	1,800lb (820kg)	14.2" - 59.0"	37.4"	47.2" x 4.0" x 1.3"	29.5"	7.7"	7.1"	7.9"	6.9"	731lb (332kg)	II
SYHF10-C0T-10*	1,800lb (820kg)	14.2" - 63.0"	41.3"	39.4" x 4.0" x 1.3"	29.5"	7.7"	7.1"	7.7"	6.9"	731lb (332kg)	II
SYHF10-C0T-12*	1,800lb (820kg)	14.2" - 63.0"	41.3"	47.2" x 4.0" x 1.3"	29.5"	7.7"	7.1"	8.1"	6.9"	753lb (342kg)	II
SYHF14-A0T-10	2,500lb (1,135kg)	17.7" - 63.4"	34.3"	39.4" x 4.0" x 1.6"	29.5"	7.7"	7.1"	7.7"	6.5"	701lb (318kg)	II
SYHF14-A0T-12	2,500lb (1,135kg)	17.7" - 63.4"	34.3"	47.2" x 4.0" x 1.6"	29.5"	7.7"	7.1"	8.1"	6.5"	723lb (328kg)	II
SYHF14-B0T-10	2,500lb (1,135kg)	17.7" - 66.5"	37.4"	39.4" x 4.0" x 1.6"	29.5"	7.7"	7.1"	7.6"	6.5"	712lb (323kg)	II
SYHF14-B0T-12	2,500lb (1,135kg)	17.7" - 66.5"	37.4"	47.2" x 4.0" x 1.6"	29.5"	7.7"	7.1"	8.0"	6.5"	734lb (333kg)	II
SYHF14-C0T-10*	2,500lb (1,135kg)	14.2" - 63.0"	41.3"	39.4" x 4.0" x 1.6"	29.5"	7.7"	7.1"	7.5"	6.5"	742lb (337kg)	II
SYHF14-C0T-12*	2,500lb (1,135kg)	14.2" - 63.0"	41.3"	47.2" x 4.0" x 1.6"	29.5"	7.7"	7.1"	7.9"	6.5"	764lb (347kg)	II
SYHF14-D0T-10	2,500lb (1,135kg)	21.7" - 78.0"	45.3"	39.4" x 4.0" x 1.6"	29.5"	7.7"	7.1"	7.4"	6.5"	762lb (346kg)	II
SYHF14-D0T-12	2,500lb (1,135kg)	21.7" - 78.0"	45.3"	47.2" x 4.0" x 1.6"	29.5"	7.7"	7.1"	7.8"	6.5"	782lb (355kg)	II
SYHF18-A0T-10	3,500lb (1,590kg)	18.9" - 66.9"	37.4"	39.4" x 4.0" x 1.6"	29.5"	7.3"	7.3"	8.1"	6.5"	756lb (343kg)	II
SYHF18-A0T-12	3,500lb (1,590kg)	18.9" - 66.9"	37.4"	47.2" x 4.0" x 1.6"	29.5"	7.3"	7.3"	8.7"	6.5"	778lb (353kg)	II
SYHF18-B0T-10*	3,500lb (1,590kg)	14.2" - 62.2"	41.3"	39.4" x 4.0" x 1.6"	29.5"	7.3"	7.3"	7.3"	6.5"	771lb (350kg)	II
SYHF18-B0T-12*	3,500lb (1,590kg)	14.2" - 62.2"	41.3"	47.2" x 4.0" x 1.6"	29.5"	7.3"	7.3"	8.3"	6.5"	793lb (360kg)	II
SYHF18-B1T-10	3,500lb (1,590kg)	18.9" - 70.9"	41.3"	39.4" x 4.0" x 1.6"	29.5"	7.3"	7.3"	7.3"	6.5"	778lb (353kg)	II
SYHF18-B1T-12	3,500lb (1,590kg)	18.9" - 70.9"	41.3"	47.2" x 4.0" x 1.6"	29.5"	7.3"	7.3"	8.3"	6.5"	800lb (363kg)	II
SYHF18-C0T-10	3,500lb (1,590kg)	18.9" - 74.8"	45.3"	39.4" x 4.0" x 1.6"	29.5"	7.3"	7.3"	7.1"	6.5"	789lb (358kg)	II
SYHF18-C0T-12	3,500lb (1,590kg)	18.9" - 74.8"	45.3"	47.2" x 4.0" x 1.6"	29.5"	7.3"	7.3"	8.1"	6.5"	811lb (368kg)	II
SYHF18-D0T-10*	3,500lb (1,590kg)	14.2" - 70.1"	49.2"	39.4" x 4.0" x 1.6"	33.5"	7.3"	7.3"	7.0"	6.5"	804lb (365kg)	II
SYHF18-D0T-12*	3,500lb (1,590kg)	14.2" - 70.1"	49.2"	47.2" x 4.0" x 1.6"	33.5"	7.3"	7.3"	8.0"	6.5"	826lb (375kg)	II
SYHF22-A0T-10	4,000lb (1,820kg)	16.9" - 65.4"	37.4"	39.4" x 4.7" x 1.6"	29.5"	7.1"	7.3"	8.1"	6.4"	824lb (374kg)	II/III
SYHF22-A0T-12	4,000lb (1,820kg)	16.9" - 65.4"	37.4"	47.2" x 4.7" x 1.6"	29.5"	7.1"	7.3"	9.1"	6.4"	846lb (384kg)	II/III
SYHF22-B1T-10*	4,000lb (1,820kg)	12.6" - 60.6"	41.3"	39.4" x 4.7" x 1.6"	29.5"	7.1"	7.3"	8.1"	6.4"	835lb (379kg)	II/III
SYHF22-B1T-12*	4,000lb (1,820kg)	12.6" - 60.6"	41.3"	47.2" x 4.7" x 1.6"	29.5"	7.1"	7.3"	9.1"	6.4"	857lb (389kg)	II/III
SYHF22-C0T-10	4,000lb (1,820kg)	17.7" - 74.8"	41.3"	39.4" x 4.7" x 1.6"	29.5"	7.1"	7.3"	8.1"	6.4"	848lb (385kg)	II/III

*Model for Europallet

Model	Capacity 24" (600mm) Load Center	A Opening Range	B	Forks LxDxE	C	V	LL	HCG	VCG	Weight	Mounting Class
SYHF22-C0T-12	4,000lb (1,820kg)	17.7" - 74.8"	41.3"	47.2" x 4.7" x 1.6"	29.5"	7.1"	7.3"	9.1"	6.4"	870lb (395kg)	II/III
SYHF22-D1T-10*	4,000lb (1,820kg)	12.6" - 68.5"	49.2"	39.4" x 4.7" x 1.6"	33.5"	7.1"	7.3"	8.1"	6.4"	859lb (390kg)	II/III
SYHF22-D1T-12*	4,000lb (1,820kg)	12.6" - 68.5"	49.2"	47.2" x 4.7" x 1.6"	33.5"	7.1"	7.3"	9.1"	6.4"	881lb (400kg)	II/III
SYHF26-A0T-10	5,000lb (2,270kg)	17.7" - 70.9"	41.3"	39.4" x 4.7" x 1.8"	33.5"	7.1"	7.5"	7.9"	6.9"	903lb (410kg)	III
SYHF26-A0T-12	5,000lb (2,270kg)	17.7" - 70.9"	41.3"	47.2" x 4.7" x 1.8"	33.5"	7.1"	7.5"	8.9"	6.9"	925lb (420kg)	III
SYHF26-B1T-10*	5,000lb (2,270kg)	12.6" - 64.6"	45.3"	39.4" x 4.7" x 1.8"	33.5"	7.1"	7.5"	7.7"	6.9"	919lb (417kg)	III
SYHF26-B1T-12*	5,000lb (2,270kg)	12.6" - 64.6"	45.3"	47.2" x 4.7" x 1.8"	33.5"	7.1"	7.5"	8.7"	6.9"	941lb (427kg)	III
SYHF26-C0T-10	5,000lb (2,270kg)	17.3" - 78.0"	49.2"	39.4" x 4.7" x 1.8"	33.5"	7.1"	7.5"	7.6"	6.9"	936lb (425kg)	III
SYHF26-C0T-12	5,000lb (2,270kg)	17.3" - 78.0"	49.2"	47.2" x 4.7" x 1.8"	33.5"	7.1"	7.5"	8.5"	6.9"	958lb (435kg)	III
SYHF26-D1T-10*	5,000lb (2,270kg)	12.6" - 71.3"	52.0"	39.4" x 4.7" x 1.8"	33.5"	7.1"	7.5"	7.5"	6.9"	952lb (432kg)	III
SYHF26-D1T-12*	5,000lb (2,270kg)	12.6" - 71.3"	52.0"	47.2" x 4.7" x 1.8"	33.5"	7.1"	7.5"	12.3"	6.9"	976lb (443kg)	III
SYHF30-A0T-10*	5,500lb (2,500kg)	12.6" - 63.8"	45.3"	39.4" x 4.7" x 2.0"	33.5"	6.9"	8.9"	7.3"	7.8"	1,388lb (630kg)	III
SYHF30-A0T-12*	5,500lb (2,500kg)	12.6" - 63.8"	45.3"	47.2" x 4.7" x 2.0"	33.5"	6.9"	8.9"	8.5"	7.8"	1,421lb (645kg)	III
SYHF30-B0T-10	5,500lb (2,500kg)	17.7" - 77.6"	49.2"	39.4" x 4.7" x 2.0"	33.5"	6.9"	8.9"	7.2"	7.8"	1,417lb (643kg)	III
SYHF30-B0T-12	5,500lb (2,500kg)	17.7" - 77.6"	49.2"	47.2" x 4.7" x 2.0"	33.5"	6.9"	8.9"	8.3"	7.8"	1,450lb (658kg)	III
SYHF30-C0T-10*	5,500lb (2,500kg)	12.6" - 70.1"	52.0"	39.4" x 4.7" x 2.0"	33.5"	6.9"	8.9"	7.1"	7.8"	1,444lb (655kg)	III
SYHF30-C0T-12*	5,500lb (2,500kg)	12.6" - 70.1"	52.0"	47.2" x 4.7" x 2.0"	33.5"	6.9"	8.9"	8.3"	7.8"	1,477lb (670kg)	III
SYHF35-A0T-10*	6,500lb (2,950kg)	12.6" - 63.8"	45.3"	39.4" x 4.7" x 2.0"	33.5"	6.7"	8.9"	7.3"	7.9"	1,399lb (635kg)	III
SYHF35-A0T-12*	6,500lb (2,950kg)	12.6" - 63.8"	45.3"	47.2" x 4.7" x 2.0"	33.5"	6.7"	8.9"	8.5"	7.9"	1,432lb (650kg)	III
SYHF35-B0T-10*	6,500lb (2,950kg)	12.6" - 70.5"	52.0"	39.4" x 4.7" x 2.0"	33.5"	6.7"	8.9"	7.1"	7.9"	1,455lb (660kg)	III
SYHF35-B0T-12*	6,500lb (2,950kg)	12.6" - 70.5"	52.0"	47.2" x 4.7" x 2.0"	33.5"	6.7"	8.9"	8.3"	7.9"	1,488lb (675kg)	III
SYHF35-C0T-10	6,500lb (2,950kg)	17.7" - 85.8"	57.1"	39.4" x 4.7" x 2.0"	39.4"	6.7"	8.9"	7.0"	7.9"	1,496lb (679kg)	III
SYHF35-C0T-12	6,500lb (2,950kg)	17.7" - 85.8"	57.1"	47.2" x 4.7" x 2.0"	39.4"	6.7"	8.9"	8.1"	7.9"	1,527lb (693kg)	III
SYHF40-A0T-12*	7,300lb (3,320kg)	10.2" - 61.4"	45.3"	47.2" x 6.0" x 2.3"	35.4"	6.5"	9.5"	8.7"	9.5"	1,587lb (720kg)	III
SYHF40-B0T-12	7,300lb (3,320kg)	17.7" - 80.7"	52.0"	47.2" x 6.0" x 2.3"	39.4"	6.5"	9.5"	8.3"	9.5"	1,664lb (755kg)	III
SYHF40-C0T-12	7,300lb (3,320kg)	17.7" - 85.8"	57.1"	47.2" x 6.0" x 2.3"	41.3"	6.5"	9.5"	8.0"	9.5"	1,752lb (795kg)	III
SYHF45-A0T-12	8,300lb (3,770kg)	13.8" - 77.6"	57.1"	47.2" x 6.0" x 2.3"	41.3"	8.3"	9.6"	8.2"	10.5"	1,785lb (810kg)	IV
SYHF45-B0T-12	8,300lb (3,770kg)	11.8" - 78.7"	66.9"	47.2" x 6.0" x 2.3"	41.3"	8.3"	9.6"	8.1"	10.5"	1,917lb (870kg)	IV

*Model for Europallet

Options

For models without sideshifting	Quick-release lower mountings, Class II or Class III
Separate sideshifting 8" mounting Class II	Quick-release lower mountings, Class IV
Separate sideshifting 8" mounting Class III	Double max pressure control valve
Separate sideshifting 8" mounting Class IV	Frame bumper

2 hydraulic functions – Independent arm control

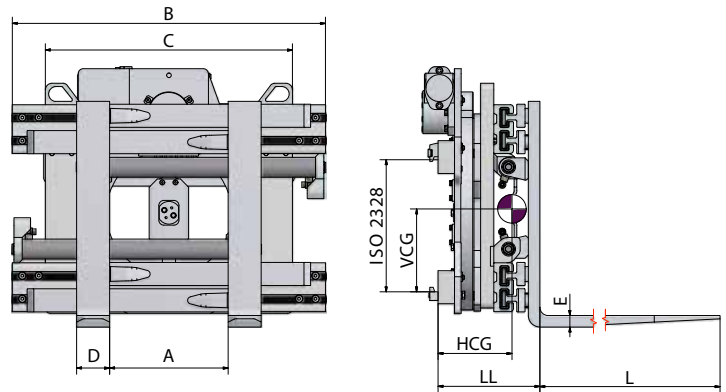
AVAILABLE ON REQUEST

Different fork lengths
Bolted forks
Class B mounting forks

5.2 ROTATING FORK CLAMPS 360° HFR

TECHNICAL DETAILS:

- 2 hydraulic functions
- Maximum pressure 2,600 psi
- Recommended oil flow 7 gpm
- Welded forks
- C – Minimal width lift truck carriage



Model	Capacity 24" (600mm) Load Center	A Opening Range	B	Forks LxDxE	C	V	LL	HCG	VCG	Weight	Mounting Class
SYHFR10-B0-12*	1,800lb (820kg)	14.2" - 59.1"	37.4"	47.2" x 4.0" x 1.3"	29.5"	7.7"	12.2"	8.1"	10.8"	1,146lb (520kg)	II
SYHFR10-C0-12*	1,800lb (820kg)	14.2" - 63.0"	41.3"	47.2" x 4.0" x 1.3"	29.5"	7.7"	12.2"	7.9"	10.8"	1,168lb (530kg)	II
SYHFR14-B0-12	2,500lb (1,135kg)	17.7" - 66.5"	37.4"	47.2" x 4.0" x 1.6"	29.5"	7.7"	12.4"	8.2"	10.8"	1,190lb (540kg)	II
SYHFR14-C0-12*	2,500lb (1,135kg)	14.2" - 63.0"	41.3"	47.2" x 4.0" x 1.6"	29.5"	7.7"	12.4"	8.1"	10.8"	1,212lb (550kg)	II
SYHFR14-D0-12	2,500lb (1,135kg)	21.7" - 78.0"	45.3"	47.2" x 4.0" x 1.6"	29.5"	7.7"	12.4"	8.2"	10.8"	1,234lb (560kg)	II
SYHFR18-A0-12	3,500lb (1,590kg)	18.9" - 66.9"	37.4"	47.2" x 4.0" x 1.6"	29.5"	7.3"	12.2"	8.2"	10.5"	1,190lb (540kg)	II
SYHFR18-B0-12*	3,500lb (1,590kg)	14.2" - 62.2"	41.3"	47.2" x 4.0" x 1.6"	29.5"	7.3"	12.2"	8.3"	10.5"	1,212lb (550kg)	II
SYHFR18-B1-12	3,500lb (1,590kg)	18.9" - 70.9"	41.3"	47.2" x 4.0" x 1.6"	29.5"	7.3"	12.2"	8.3"	10.5"	1,212lb (550kg)	II
SYHFR18-C0-12	3,500lb (1,590kg)	18.9" - 75.6"	45.3"	47.2" x 4.0" x 1.6"	29.5"	7.3"	12.2"	8.4"	10.5"	1,234lb (560kg)	II
SYHFR18-D0-12*	3,500lb (1,590kg)	14.2" - 70.1"	49.2"	47.2" x 4.0" x 1.6"	29.5"	7.3"	12.2"	9.0"	10.5"	1,256lb (570kg)	II
SYHFR22-A0-12	4,000lb (1,820kg)	16.9" - 65.4"	37.4"	47.2" x 4.7" x 1.6"	29.5"	7.1"	12.2"	8.9"	10.6"	1,256lb (570kg)	II/III
SYHFR22-B1-12*	4,000lb (1,820kg)	12.6" - 60.6"	41.3"	47.2" x 4.7" x 1.6"	29.5"	7.1"	12.2"	9.1"	10.6"	1,278lb (580kg)	II/III
SYHFR22-C0-12	4,000lb (1,820kg)	17.7" - 74.8"	45.3"	47.2" x 4.7" x 1.6"	29.5"	7.1"	12.2"	9.3"	10.6"	1,300lb (590kg)	II/III
SYHFR22-D1-12*	4,000lb (1,820kg)	12.6" - 68.5"	49.2"	47.2" x 4.7" x 1.6"	29.5"	7.1"	12.2"	9.6"	10.6"	1,322lb (600kg)	II/III
SYHFR26-A0-12	5,000lb (2,270kg)	17.7" - 70.9"	41.3"	47.2" x 4.7" x 1.8"	35.4"	7.1"	12.5"	8.6"	9.9"	1,496lb (679kg)	III
SYHFR26-B1-12*	5,000lb (2,270kg)	12.6" - 65.4"	45.3"	47.2" x 4.7" x 1.8"	35.4"	7.1"	12.5"	8.7"	9.9"	1,514lb (687kg)	III
SYHFR26-C0-12	5,000lb (2,270kg)	17.7" - 78.7"	49.2"	47.2" x 4.7" x 1.8"	35.4"	7.1"	12.5"	9.0"	9.9"	1,532lb (695kg)	III
SYHFR26-D1-12*	5,000lb (2,270kg)	12.6" - 71.3"	52.0"	47.2" x 4.7" x 1.8"	35.4"	7.1"	12.5"	9.3"	9.9"	1,549lb (703kg)	III
SYHFR30-A0-12*	5,500lb (2,500kg)	12.6" - 63.8"	45.3"	47.2" x 4.7" x 2.0"	35.4"	6.9"	13.9"	9.7"	10.2"	1,552lb (704kg)	III
SYHFR30-B0-12	5,500lb (2,500kg)	17.7" - 77.6"	49.2"	47.2" x 4.7" x 2.0"	35.4"	6.9"	13.9"	9.8"	10.2"	1,576lb (715kg)	III
SYHFR30-C0-12*	5,500lb (2,500kg)	12.6" - 70.1"	52.0"	47.2" x 4.7" x 2.0"	35.4"	6.9"	13.9"	10.1"	10.2"	1,598lb (725kg)	III
SYHFR35-A0-12*	6,500lb (2,950kg)	12.6" - 63.8"	45.3"	47.2" x 4.7" x 2.0"	41.3"	6.7"	14.4"	9.8"	10.5"	1,940lb (880kg)	III
SYHFR35-B0-12*	6,500lb (2,950kg)	12.6" - 70.5"	52.0"	47.2" x 4.7" x 2.0"	41.3"	6.7"	14.4"	9.8"	10.5"	1,995lb (905kg)	III

*Model for Europallet

CLAMPS

Model	Capacity 24" (600mm) Load Center	A Opening Range	B	Forks LxDxE	C	V	LL	HCG	VCG	Weight	Mounting Class
SYHFR35-C0-12	6,500lb (2,950kg)	17.7" - 85.8"	57.1"	47.2" x 4.7" x 2.0"	41.3"	6.7"	14.4"	10.0"	10.5"	2,034lb (923kg)	III
SYHFR40-A0-12*	7,300lb (3,320kg)	10.2" - 61.4"	45.3"	47.2" x 6.0" x 2.3"	41.3"	6.5"	15.0"	10.1"	11.0"	2,094lb (950kg)	III
SYHFR40-B0-12	7,300lb (3,320kg)	17.7" - 80.7"	52.0"	47.2" x 6.0" x 2.3"	41.3"	6.5"	15.0"	10.2"	11.0"	2,171lb (985kg)	III
SYHFR40-C0-12	7,300lb (3,320kg)	17.7" - 85.8"	57.1"	47.2" x 6.0" x 2.3"	41.3"	6.5"	15.0"	10.4"	11.0"	2,259lb (1,025kg)	III
SYHFR45-A0-12	8,300lb (3,770kg)	13.8" - 77.6"	57.1"	47.2" x 6.0" x 2.3"	48.4"	8.3"	15.9"	10.4"	11.5"	2,689lb (1,220kg)	IV
SYHFR45-B0-12	8,300lb (3,770kg)	17.7" - 91.3"	63.0"	47.2" x 6.0" x 2.3"	48.4"	8.3"	15.9"	10.8"	11.5"	2,821lb (1,280kg)	IV

*Model for Europallet

Options	
Separate sideshifting 8" mounting Class II	Quick-release lower mountings, Class IV
Separate sideshifting 8" mounting Class III	Double max pressure control valve
Separate sideshifting 8" mounting Class IV	Frame bumper
Quick-release lower mountings, Class II or Class III	

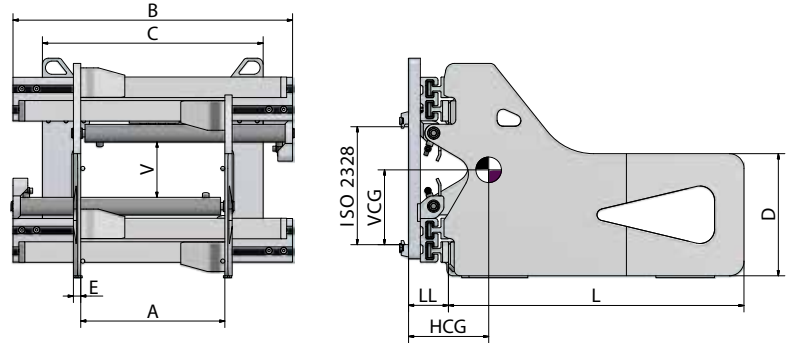
AVAILABLE ON REQUEST

- Different fork lengths
- Bolted forks
- Class B mounting forks

5.3 BALE CLAMPS, PULP BALE CLAMPS HB-T

TECHNICAL DETAILS:

- Clamps also suitable to handle pulp bales
- 2 hydraulic functions
- Maximum pressure 2,600 psi
- Recommended oil flow 7 gpm
- C – Minimal width lift truck carriage
- Models with integrated sideshifting



Model	Capacity 24" (600mm) Load Center	A Opening Range	B	Forks LxDxE	C	V	LL	HCG	VCG	Weight	Mounting Class
SYHB10-A0T-09	1,800lb (820kg)	17.7" - 62.5"	37.4"	35.4" x 15.7" x 1.0"	29.5"	7.7"	5.2"	9.4"	8.3"	813lb (369kg)	II
SYHB10-A0T-10	1,800lb (820kg)	17.7" - 62.5"	37.4"	39.4" x 15.7" x 1.0"	29.5"	7.7"	5.2"	11.4"	8.3"	857lb (389kg)	II
SYHB10-A1T-09	1,800lb (820kg)	21.7" - 70.5"	37.4"	35.4" x 15.7" x 1.0"	29.5"	7.7"	5.2"	6.5"	8.3"	826lb (375kg)	II
SYHB10-A1T-10	1,800lb (820kg)	21.7" - 70.5"	37.4"	39.4" x 15.7" x 1.0"	29.5"	7.7"	5.2"	11.4"	8.3"	868lb (394kg)	II
SYHB14-A0T-09	2,500lb (1,135kg)	21.7" - 70.5"	37.4"	35.4" x 15.7" x 1.0"	29.5"	7.7"	5.2"	9.5"	8.4"	846lb (384kg)	II
SYHB14-A0T-10	2,500lb (1,135kg)	21.7" - 70.5"	37.4"	39.4" x 15.7" x 1.0"	29.5"	7.7"	5.2"	11.4"	8.4"	892lb (405kg)	II
SYHB14-B0T-09	2,500lb (1,135kg)	17.7" - 66.5"	41.3"	35.4" x 15.7" x 1.0"	29.5"	7.7"	5.2"	9.3"	8.4"	859lb (390kg)	II
SYHB14-B0T-10	2,500lb (1,135kg)	17.7" - 66.5"	41.3"	39.4" x 15.7" x 1.0"	29.5"	7.7"	5.2"	11.2"	8.4"	925lb (420kg)	II
SYHB14-C0T-09	2,500lb (1,135kg)	17.7" - 70.5"	45.3"	35.4" x 15.7" x 1.0"	29.5"	7.7"	5.2"	9.1"	8.4"	903lb (410kg)	II
SYHB14-C0T-10	2,500lb (1,135kg)	17.7" - 70.5"	45.3"	39.4" x 15.7" x 1.0"	29.5"	7.7"	5.2"	11.1"	8.4"	947lb (430kg)	II
SYHB14-C1T-09	2,500lb (1,135kg)	25.6" - 86.2"	45.3"	35.4" x 15.7" x 1.0"	29.5"	7.7"	5.2"	9.1"	8.4"	925lb (420kg)	II
SYHB14-C1T-10	2,500lb (1,135kg)	25.6" - 86.2"	45.3"	39.4" x 15.7" x 1.0"	29.5"	7.7"	5.2"	11.1"	8.4"	970lb (440kg)	II
SYHB18-A0T-10	3,500lb (1,590kg)	22.0" - 70.1"	37.4"	39.4" x 15.7" x 1.2"	29.5"	7.3"	5.3"	10.1"	9.2"	987lb (448kg)	II
SYHB18-A0T-12	3,500lb (1,590kg)	22.0" - 70.1"	37.4"	47.2" x 15.7" x 1.2"	29.5"	7.3"	5.3"	11.9"	9.2"	1047lb (475kg)	II
SYHB18-B0T-10	3,500lb (1,590kg)	18.1" - 66.1"	41.3"	39.4" x 15.7" x 1.2"	29.5"	7.3"	5.3"	9.8"	9.2"	1,014lb (460kg)	II
SYHB18-B0T-12	3,500lb (1,590kg)	18.1" - 66.1"	41.3"	47.2" x 15.7" x 1.2"	29.5"	7.3"	5.3"	11.5"	9.2"	1,069lb (485kg)	II
SYHB18-C0T-10	3,500lb (1,590kg)	22.0" - 80.0"	45.3"	39.4" x 15.7" x 1.2"	29.5"	7.3"	5.3"	9.6"	9.2"	1,042lb (473kg)	II
SYHB18-C0T-12	3,500lb (1,590kg)	22.0" - 80.0"	45.3"	47.2" x 15.7" x 1.2"	29.5"	7.3"	5.3"	11.2"	9.2"	1,119lb (508kg)	II
SYHB18-D0T-10	3,500lb (1,590kg)	18.1" - 74.0"	49.2"	39.4" x 15.7" x 1.2"	33.5"	7.3"	5.3"	9.4"	9.2"	1,082lb (491kg)	II
SYHB18-D0T-12	3,500lb (1,590kg)	18.1" - 74.0"	49.2"	47.2" x 15.7" x 1.2"	33.5"	7.3"	5.3"	10.9"	9.2"	1,139lb (517kg)	II
SYHB22-A0T-10	4,000lb (1,820kg)	22.4" - 70.9"	37.4"	39.4" x 15.7" x 1.2"	29.5"	7.1"	5.3"	9.8"	9.4"	972lb (441kg)	II
SYHB22-A0T-12	4,000lb (1,820kg)	22.4" - 70.9"	37.4"	47.2" x 15.7" x 1.2"	29.5"	7.1"	5.3"	10.8"	9.4"	1,042lb (473kg)	II
SYHB22-B0T-10	4,000lb (1,820kg)	26.0" - 81.9"	41.3"	39.4" x 15.7" x 1.2"	29.5"	7.1"	5.3"	9.6"	9.4"	1,036lb (470kg)	II
SYHB22-B0T-12	4,000lb (1,820kg)	26.0" - 81.9"	41.3"	47.2" x 15.7" x 1.2"	29.5"	7.1"	5.3"	10.6"	9.4"	1,097lb (498kg)	II

Model	Capacity 24" (600mm) Load Center	A Opening Range	B	Forks LxDxE	C	V	LL	HCG	VCG	Weight	Mounting Class
SYHB22-C0T-10	4,000lb (1,820kg)	22.0" - 80.0"	45.3"	39.4" x 15.7" x 1.2"	29.5"	7.1"	5.3"	9.5"	9.4"	1,062lb (482kg)	II
SYHB22-C0T-12	4,000lb (1,820kg)	22.0" - 80.0"	45.3"	47.2" x 15.7" x 1.2"	29.5"	7.1"	5.3"	10.4"	9.4"	1,117lb (507kg)	II
SYHB22-D0T-10	4,000lb (1,820kg)	22.4" - 82.7"	49.2"	39.4" x 15.7" x 1.2"	33.5"	7.1"	5.3"	9.4"	9.4"	1,086lb (493kg)	II
SYHB22-D0T-12	4,000lb (1,820kg)	22.4" - 82.7"	49.2"	47.2" x 15.7" x 1.2"	33.5"	7.1"	5.3"	10.3"	9.4"	1,148lb (521kg)	II
SYHB26-A0T-10	5,000lb (2,270kg)	21.7" - 73.2"	41.3"	39.4" x 15.7" x 1.2"	29.5"	7.1"	5.4"	10.4"	9.4"	1,036lb (470kg)	II/III
SYHB26-A0T-12	5,000lb (2,270kg)	21.7" - 73.2"	41.3"	47.2" x 15.7" x 1.2"	29.5"	7.1"	5.4"	10.8"	9.4"	1,084lb (492kg)	II/III
SYHB26-B0T-10	5,000lb (2,270kg)	26.4" - 86.6"	45.3"	39.4" x 15.7" x 1.2"	29.5"	7.1"	5.4"	10.2"	9.4"	1,067lb (484kg)	II/III
SYHB26-B0T-12	5,000lb (2,270kg)	26.4" - 86.6"	45.3"	47.2" x 15.7" x 1.2"	29.5"	7.1"	5.4"	10.5"	9.4"	1,122lb (509kg)	II/III
SYHB26-C0T-10	5,000lb (2,270kg)	20.9" - 79.5"	49.2"	39.4" x 15.7" x 1.2"	33.5"	7.1"	5.4"	10.0"	9.4"	1,095lb (497kg)	II/III
SYHB26-C0T-12	5,000lb (2,270kg)	20.9" - 79.5"	49.2"	47.2" x 15.7" x 1.2"	33.5"	7.1"	5.4"	10.3"	9.4"	1,150lb (522kg)	II/III
SYHB26-D0T-10	5,000lb (2,270kg)	26.4" - 91.3"	52.0"	39.4" x 15.7" x 1.2"	33.5"	7.1"	5.4"	9.6"	9.4"	1,113lb (505kg)	II/III
SYHB26-D0T-12	5,000lb (2,270kg)	26.4" - 91.3"	52.0"	47.2" x 15.7" x 1.2"	33.5"	7.1"	5.4"	10.0"	9.4"	1,168lb (530kg)	II/III
SYHB30-A0T-12	5,500lb (2,500kg)	24.4" - 82.3"	45.3"	47.2" x 15.7" x 1.3"	33.5"	6.9"	6.4"	12.0"	9.8"	1,752lb (795kg)	III
SYHB30-A0T-14	5,500lb (2,500kg)	24.4" - 82.3"	45.3"	55.1" x 15.7" x 1.3"	33.5"	6.9"	6.4"	13.7"	9.8"	1,807lb (820kg)	III
SYHB30-B0T-12	5,500lb (2,500kg)	20.5" - 78.3"	49.2"	47.2" x 15.7" x 1.3"	33.5"	6.9"	6.4"	11.8"	9.8"	1,781lb (808kg)	III
SYHB30-B0T-14	5,500lb (2,500kg)	20.5" - 78.3"	49.2"	55.1" x 15.7" x 1.3"	33.5"	6.9"	6.4"	13.4"	9.8"	1,847lb (838kg)	III
SYHB30-C0T-12	5,500lb (2,500kg)	25.2" - 90.5"	52.0"	47.2" x 15.7" x 1.3"	33.5"	6.9"	6.4"	11.6"	9.8"	1,814lb (823kg)	III
SYHB30-C0T-14	5,500lb (2,500kg)	25.2" - 90.5"	52.0"	55.1" x 15.7" x 1.3"	33.5"	6.9"	6.4"	13.1"	9.8"	1,882lb (854kg)	III
SYHB35-A0T-12	6,500lb (2,950kg)	16.9" - 68.1"	45.3"	47.2" x 15.7" x 1.3"	35.4"	6.7"	6.5"	12.1"	10.2"	1,856lb (842kg)	III
SYHB35-A0T-14	6,500lb (2,950kg)	16.9" - 68.1"	45.3"	55.1" x 15.7" x 1.3"	35.4"	6.7"	6.5"	13.8"	10.2"	1,911lb (867kg)	III
SYHB35-B0T-12	6,500lb (2,950kg)	27.2" - 95.3"	52.0"	47.2" x 15.7" x 1.3"	39.4"	6.7"	6.5"	11.6"	10.2"	1,878lb (852kg)	III
SYHB35-B0T-14	6,500lb (2,950kg)	27.2" - 95.3"	52.0"	55.1" x 15.7" x 1.3"	39.4"	6.7"	6.5"	13.3"	10.2"	1,948lb (884kg)	III
SYHB35-C0T-12	6,500lb (2,950kg)	22.0" - 90.2"	57.1"	47.2" x 15.7" x 1.3"	39.4"	6.7"	6.5"	11.4"	10.2"	1,915lb (869kg)	III
SYHB35-C0T-14	6,500lb (2,950kg)	22.0" - 90.2"	57.1"	55.1" x 15.7" x 1.3"	39.4"	6.7"	6.5"	13.0"	10.2"	1,977lb (897kg)	III
SYHB42-A0T-12	7,700lb (3,500kg)	23.6" - 81.5"	45.3"	47.2" x 15.7" x 1.3"	35.4"	6.5"	6.8"	11.7"	10.4"	2,052lb (931kg)	III
SYHB42-A0T-14	7,700lb (3,500kg)	23.6" - 81.5"	45.3"	55.1" x 17.7" x 1.6"	35.4"	6.5"	6.8"	13.3"	10.4"	2,127lb (965kg)	III
SYHB42-A0T-16	7,700lb (3,500kg)	23.6" - 81.5"	45.3"	63.0" x 17.7" x 1.6"	35.4"	6.5"	6.8"	14.9"	10.4"	2,186lb (992kg)	III
SYHB42-B0T-12	7,700lb (3,500kg)	22.0" - 85.0"	52.0"	47.2" x 17.7" x 1.6"	39.4"	6.5"	6.8"	11.5"	10.4"	2,114lb (959kg)	III
SYHB42-B0T-14	7,700lb (3,500kg)	22.0" - 85.0"	52.0"	55.1" x 17.7" x 1.6"	39.4"	6.5"	6.8"	13.0"	10.4"	2,175lb (987kg)	III
SYHB42-B0T-16	7,700lb (3,500kg)	22.0" - 85.0"	52.0"	63.0" x 17.7" x 1.6"	39.4"	6.5"	6.8"	14.6"	10.4"	2,239lb (1,016kg)	III
SYHB42-C0T-12	7,700lb (3,500kg)	26.8" - 98.4"	57.1"	47.2" x 17.7" x 1.6"	41.3"	6.5"	6.8"	11.3"	10.4"	2,182lb (990kg)	III
SYHB42-C0T-14	7,700lb (3,500kg)	26.8" - 98.4"	57.1"	55.1" x 17.7" x 1.6"	41.3"	6.5"	6.8"	12.8"	10.4"	2,255lb (1,023kg)	III
SYHB42-C0T-16	7,700lb (3,500kg)	26.8" - 98.4"	57.1"	63.0" x 17.7" x 1.6"	41.3"	6.5"	6.8"	14.4"	10.4"	2,334lb (1,059kg)	III
SYHB45-A0T-12	9,500lb (4,300kg)	23.6" - 91.3"	57.1"	47.2" x 17.7" x 1.6"	41.3"	8.3"	7.1"	11.5"	12.9"	2,270lb (1,030kg)	IV
SYHB45-A0T-14	9,500lb (4,300kg)	23.6" - 91.3"	57.1"	55.1" x 17.7" x 1.6"	41.3"	8.3"	7.1"	13.0"	12.9"	2,356lb (1,069kg)	IV
SYHB45-A0T-16	9,500lb (4,300kg)	23.6" - 91.3"	57.1"	63.0" x 17.7" x 1.6"	41.3"	8.3"	7.1"	14.2"	12.9"	2,447lb (1,110kg)	IV

Model	Capacity 24" (600mm) Load Center	A Opening Range	B	Forks LxDxE	C	V	LL	HCG	VCG	Weight	Mounting Class
SYHB10-A0T-09	9,500lb (4,300kg)	27.6" - 105.1"	63.0"	47.2" x 17.7" x 1.6"	41.3"	8.3"	7.1"	11.4"	12.9"	2,319lb (1,052kg)	IV
SYHB10-A0T-10	9,500lb (4,300kg)	27.6" - 105.1"	63.0"	55.1" x 17.7" x 1.6"	41.3"	8.3"	7.1"	12.8"	12.9"	2,398lb (1,088kg)	IV
SYHB10-A1T-09	9,500lb (4,300kg)	27.6" - 105.1"	63.0"	63.0" x 17.7" x 1.6"	41.3"	8.3"	7.1"	14.0"	12.9"	2,488lb (1,129kg)	IV
SYHB10-A1T-10	13,000lb (5,900kg)	24.8" - 98.8"	63.0"	55.1" x 19.7" x 1.8"	41.3"	5.9"	9.6"	12.6"	13.9"	2,854lb (1,295kg)	IV
SYHB14-A0T-09	13,000lb (5,900kg)	24.8" - 98.8"	63.0"	63.0" x 19.7" x 1.8"	41.3"	5.9"	9.6"	14.4"	13.9"	2,998lb (1,360kg)	IV
SYHB14-A0T-10	13,000lb (5,900kg)	28.0" - 113.0"	70.9"	55.1" x 19.7" x 1.8"	41.3"	5.9"	9.6"	12.3"	13.9"	2,932lb (1,330kg)	IV
SYHB14-B0T-09	13,000lb (5,900kg)	28.0" - 113.0"	70.9"	63.0" x 19.7" x 1.8"	41.3"	5.9"	9.6"	14.1"	13.9"	3,075lb (1,395kg)	IV

Options

For models without sideshifting	Quick-release lower mountings, Class IV
Separate sideshifting 8" for mounting Class II	Gripper teeth
Separate sideshifting 8" for mounting Class III	Wear strips under arms
Separate sideshifting 8" for mounting Class IV	Wear strips under frame
2 hydraulic functions – Independent arm control	Frame bumper
Quick-release lower mountings, Class II or Class III	

AVAILABLE ON REQUEST

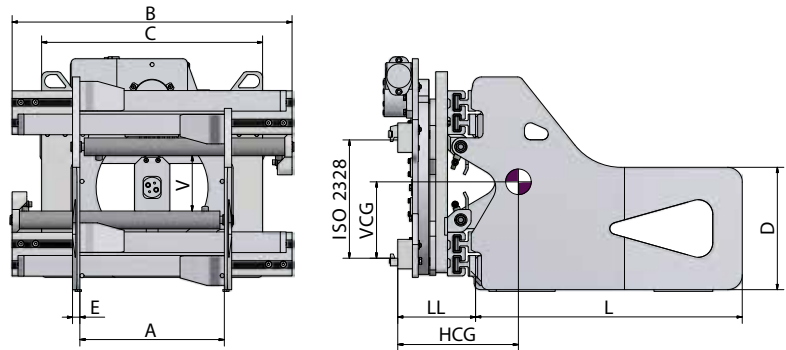
- Different arm dimensions
- Class B mounting arms
- Load backrest
- Waste paper box arm models

*Opening range measured at the arm tip

5.4 BALE CLAMPS, PULP BALE CLAMPS 360° HBR

TECHNICAL DETAILS:

- Clamps also suitable to handle pulp bales
- 2 hydraulic functions
- Maximum pressure 2,600 psi
- Recommended oil flow 7 gpm
- C - Minimal width lift truck carriage



Model	Capacity 24" (600mm) Load Center	A Opening Range	B	Arms LxDxE	C	V	LL	HCG	VCG	Weight	Mounting Class
SYHBR10-A0-09	1,800lb (820kg)	17.7" - 62.5"	37.4"	35.4" x 15.7" x 1.0"	29.5"	7.7"	10.6"	8.9"	12.8"	1,201lb (545kg)	II
SYHBR10-A0-10	1,800lb (820kg)	17.7" - 62.5"	37.4"	39.4" x 15.7" x 1.0"	29.5"	7.7"	10.6"	9.3"	12.8"	1,245lb (565kg)	II
SYHBR10-A1-09	1,800lb (820kg)	21.7" - 70.5"	37.4"	35.4" x 15.7" x 1.0"	29.5"	7.7"	10.6"	8.9"	12.8"	1,212lb (550kg)	II
SYHBR10-A1-10	1,800lb (820kg)	21.7" - 70.5"	37.4"	39.4" x 15.7" x 1.0"	29.5"	7.7"	10.6"	9.3"	12.8"	1,256lb (570kg)	II
SYHBR14-A0-09	2,500lb (1,135kg)	21.7" - 70.5"	37.4"	35.4" x 15.7" x 1.0"	29.5"	7.7"	10.6"	8.9"	12.8"	1,214lb (551kg)	II
SYHBR14-A0-10	2,500lb (1,135kg)	21.7" - 70.5"	37.4"	39.4" x 15.7" x 1.0"	29.5"	7.7"	10.6"	9.2"	12.8"	1,261lb (572kg)	II
SYHBR14-B0-09	2,500lb (1,135kg)	17.7" - 66.5"	41.3"	35.4" x 15.7" x 1.0"	29.5"	7.7"	10.6"	9.3"	12.8"	1,232lb (559kg)	II
SYHBR14-B0-10	2,500lb (1,135kg)	17.7" - 66.5"	41.3"	39.4" x 15.7" x 1.0"	29.5"	7.7"	10.6"	9.7"	12.8"	1,278lb (580kg)	II
SYHBR14-C0-09	2,500lb (1,135kg)	17.7" - 70.5"	45.3"	35.4" x 15.7" x 1.0"	29.5"	7.7"	10.6"	9.4"	12.8"	1,238lb (562kg)	II
SYHBR14-C0-10	2,500lb (1,135kg)	17.7" - 70.5"	45.3"	39.4" x 15.7" x 1.0"	29.5"	7.7"	10.6"	9.8"	12.8"	1,291lb (586kg)	II
SYHBR14-C1-09	2,500lb (1,135kg)	25.6" - 86.2"	45.3"	35.4" x 15.7" x 1.0"	29.5"	7.7"	10.6"	9.3"	12.8"	1,230lb (558kg)	II
SYHBR14-C1-10	2,500lb (1,135kg)	25.6" - 86.2"	45.3"	39.4" x 15.7" x 1.0"	29.5"	7.7"	10.6"	9.6"	12.8"	1,287lb (584kg)	II
SYHBR18-A0-10	3,500lb (1,590kg)	22.0" - 70.1"	37.4"	39.4" x 15.7" x 1.2"	29.5"	7.3"	10.7"	9.2"	12.9"	1,269lb (576kg)	II
SYHBR18-A0-12	3,500lb (1,590kg)	22.0" - 70.1"	37.4"	47.2" x 15.7" x 1.2"	29.5"	7.3"	10.7"	9.6"	12.9"	1,298lb (589kg)	II
SYHBR18-B0-10	3,500lb (1,590kg)	17.7" - 66.1"	41.3"	39.4" x 15.7" x 1.2"	29.5"	7.3"	10.7"	9.3"	12.9"	1,300lb (590kg)	II
SYHBR18-B0-12	3,500lb (1,590kg)	17.7" - 66.1"	41.3"	47.2" x 15.7" x 1.2"	29.5"	7.3"	10.7"	9.7"	12.9"	1,320lb (599kg)	II
SYHBR18-C0-10	3,500lb (1,590kg)	22.0" - 78.0"	45.3"	39.4" x 15.7" x 1.2"	29.5"	7.3"	10.7"	9.3"	12.9"	1,340lb (608kg)	II
SYHBR18-C0-12	3,500lb (1,590kg)	22.0" - 78.0"	45.3"	47.2" x 15.7" x 1.2"	29.5"	7.3"	10.7"	9.8"	12.9"	1,362lb (618kg)	II
SYHBR18-D0-10	3,500lb (1,590kg)	18.1" - 74.0"	49.2"	39.4" x 15.7" x 1.2"	29.5"	7.3"	10.7"	9.4"	12.9"	1,384lb (628kg)	II
SYHBR18-D0-12	3,500lb (1,590kg)	18.1" - 74.0"	49.2"	47.2" x 15.7" x 1.2"	29.5"	7.3"	10.7"	9.9"	12.9"	1,415lb (642kg)	II
SYHBR22-A0-10	4,000lb (1,820kg)	22.4" - 70.9"	37.4"	39.4" x 15.7" x 1.2"	29.5"	7.1"	10.7"	9.9"	13.0"	1,291lb (586kg)	II
SYHBR22-A0-12	4,000lb (1,820kg)	22.4" - 70.9"	37.4"	47.2" x 15.7" x 1.2"	29.5"	7.1"	10.7"	5.3"	13.0"	1,316lb (597kg)	II
SYHBR22-B0-10	4,000lb (1,820kg)	26.0" - 81.9"	41.3"	39.4" x 15.7" x 1.2"	29.5"	7.1"	10.7"	10.2"	13.0"	1,340lb (608kg)	II
SYHBR22-B0-12	4,000lb (1,820kg)	26.0" - 81.9"	41.3"	47.2" x 15.7" x 1.2"	29.5"	7.1"	10.7"	10.6"	13.0"	1,362lb (618kg)	II
SYHBR22-C0-10	4,000lb (1,820kg)	22.0" - 80.0"	45.3"	39.4" x 15.7" x 1.2"	29.5"	7.1"	10.7"	10.4"	13.0"	1,353lb (614kg)	II
SYHBR22-C0-12	4,000lb (1,820kg)	22.0" - 80.0"	45.3"	47.2" x 15.7" x 1.2"	29.5"	7.1"	10.7"	10.6"	13.0"	1,377lb (625kg)	II
SYHBR22-D0-10	4,000lb (1,820kg)	22.4" - 82.7"	49.2"	39.4" x 15.7" x 1.2"	29.5"	7.1"	10.7"	10.4"	13.0"	1,399lb (635kg)	II
SYHBR22-D0-12	4,000lb (1,820kg)	22.4" - 82.7"	49.2"	47.2" x 15.7" x 1.2"	29.5"	7.1"	10.7"	10.9"	13.0"	1,437lb (652kg)	II
SYHBR26-A0-10	5,000lb (2,270kg)	21.7" - 73.2"	41.3"	39.4" x 15.7" x 1.3"	35.4"	7.1"	10.8"	10.0"	13.2"	1,444lb (655kg)	II/III

Model	Capacity 24" (600mm) Load Center	A Opening Range	B	Forks LxDxE	C	V	LL	HCG	VCG	Weight	Mounting Class
SYHBR26-A0-12	5,000lb (2,270kg)	21.7" - 73.2"	41.3"	47.2" x 15.7" x 1.3"	35.4"	7.1"	10.8"	10.5"	13.2"	1,514lb (687kg)	II/III
SYHBR26-B0-10	5,000lb (2,270kg)	26.4" - 86.6"	45.3"	39.4" x 15.7" x 1.3"	35.4"	7.1"	10.8"	10.3"	13.2"	1,463lb (664kg)	II/III
SYHBR26-B0-12	5,000lb (2,270kg)	26.4" - 86.6"	45.3"	47.2" x 15.7" x 1.3"	35.4"	7.1"	10.8"	10.7"	13.2"	1,534lb (696kg)	II/III
SYHBR26-C0-10	5,000lb (2,270kg)	20.9" - 79.5"	49.2"	39.4" x 15.7" x 1.3"	35.4"	7.1"	10.8"	10.5"	13.2"	1,485lb (674kg)	II/III
SYHBR26-C0-12	5,000lb (2,270kg)	20.9" - 79.5"	49.2"	47.2" x 15.7" x 1.3"	35.4"	7.1"	10.8"	10.9"	13.2"	1,554lb (705kg)	II/III
SYHBR26-D0-10	5,000lb (2,270kg)	26.4" - 91.3"	52.0"	39.4" x 15.7" x 1.3"	35.4"	7.1"	10.8"	10.6"	13.2"	1,505lb (683kg)	II/III
SYHBR26-D0-12	5,000lb (2,270kg)	26.4" - 91.3"	52.0"	47.2" x 15.7" x 1.3"	35.4"	7.1"	10.8"	11.1"	13.2"	1,569lb (712kg)	II/III
SYHBR30-A0-12	5,500lb (2,500kg)	24.4" - 82.3"	45.3"	47.2" x 15.7" x 1.3"	35.4"	6.9"	11.4"	11.8"	13.2"	2,105lb (955kg)	III
SYHBR30-A0-14	5,500lb (2,500kg)	24.4" - 82.3"	45.3"	55.1" x 15.7" x 1.3"	35.4"	6.9"	11.4"	12.5"	13.2"	2,147lb (974kg)	III
SYHBR30-B0-12	5,500lb (2,500kg)	20.5" - 78.3"	49.2"	47.2" x 15.7" x 1.3"	35.4"	6.9"	11.4"	12.2"	13.2"	2,129lb (966kg)	III
SYHBR30-B0-14	5,500lb (2,500kg)	20.5" - 78.3"	49.2"	55.1" x 15.7" x 1.3"	35.4"	6.9"	11.4"	13.1"	13.2"	2,171lb (985kg)	III
SYHBR30-C0-12	5,500lb (2,500kg)	25.2" - 90.6"	52.0"	47.2" x 15.7" x 1.3"	35.4"	6.9"	11.4"	12.4"	13.2"	2,202lb (999kg)	III
SYHBR30-C0-14	5,500lb (2,500kg)	25.2" - 90.6"	52.0"	55.1" x 15.7" x 1.3"	35.4"	6.9"	11.4"	13.3"	13.2"	2,246lb (1,019kg)	III
SYHBR35-A0-12	6,500lb (2,950kg)	16.9" - 68.1"	45.3"	47.2" x 15.7" x 1.3"	41.3"	6.7"	12.0"	11.9"	13.0"	2,266lb (1,028kg)	III
SYHBR35-A0-14	6,500lb (2,950kg)	16.9" - 68.1"	45.3"	55.1" x 15.7" x 1.3"	41.3"	6.7"	12.0"	12.4"	13.0"	2,310lb (1,048kg)	III
SYHBR35-B0-12	6,500lb (2,950kg)	27.2" - 95.3"	52.0"	47.2" x 15.7" x 1.3"	41.3"	6.7"	12.0"	12.0"	13.0"	2,365lb (1,073kg)	III
SYHBR35-B0-14	6,500lb (2,950kg)	27.2" - 95.3"	52.0"	55.1" x 15.7" x 1.3"	41.3"	6.7"	12.0"	13.0"	13.0"	2,411lb (1,094kg)	III
SYHBR35-C0-12	6,500lb (2,950kg)	22.0" - 90.2"	57.1"	47.2" x 15.7" x 1.3"	41.3"	6.7"	12.0"	12.9"	13.0"	2,407lb (1,092kg)	III
SYHBR35-C0-14	6,500lb (2,950kg)	22.0" - 90.2"	57.1"	55.1" x 15.7" x 1.3"	41.3"	6.7"	12.0"	13.7"	13.0"	2,471lb (1,121kg)	III
SYHBR42-A0-12	7,700lb (3,500kg)	23.6" - 81.5"	45.3"	47.2" x 17.7" x 1.6"	41.3"	6.5"	12.3"	12.3"	13.0"	2,502lb (1,135kg)	III
SYHBR42-A0-14	7,700lb (3,500kg)	23.6" - 81.5"	45.3"	55.1" x 17.7" x 1.6"	41.3"	6.5"	12.3"	13.3"	13.0"	2,568lb (1,165kg)	III
SYHBR42-A0-16	7,700lb (3,500kg)	23.6" - 81.5"	45.3"	63.0" x 17.7" x 1.6"	41.3"	6.5"	12.3"	15.9"	13.0"	2,652lb (1,203kg)	III
SYHBR42-B0-12	7,700lb (3,500kg)	22.0" - 85.0"	52.0"	47.2" x 17.7" x 1.6"	41.3"	6.5"	12.3"	13.2"	13.0"	2,551lb (1,160kg)	III
SYHBR42-B0-14	7,700lb (3,500kg)	22.0" - 85.0"	52.0"	55.1" x 17.7" x 1.6"	41.3"	6.5"	12.3"	14.1"	13.0"	2,623lb (1,190kg)	III
SYHBR42-B0-16	7,700lb (3,500kg)	22.0" - 85.0"	52.0"	63.0" x 17.7" x 1.6"	41.3"	6.5"	12.3"	16.3"	13.0"	2,711lb (1,230kg)	III
SYHBR42-C0-12	7,700lb (3,500kg)	26.8" - 98.4"	57.1"	47.2" x 17.7" x 1.6"	41.3"	6.5"	12.3"	14.2"	13.0"	2,815lb (1,277kg)	III
SYHBR42-C0-14	7,700lb (3,500kg)	26.8" - 98.4"	57.1"	55.1" x 17.7" x 1.6"	41.3"	6.5"	12.3"	15.2"	13.0"	2,685lb (1,218kg)	III
SYHBR42-C0-16	7,700lb (3,500kg)	26.8" - 98.4"	57.1"	63.0" x 17.7" x 1.6"	41.3"	6.5"	12.3"	18.5"	13.0"	2,766lb (1,255kg)	III

Options

Separate sideshifting 8" for mounting Class II	Gripper teeth
Separate sideshifting 8" for mounting Class III	Wear strips under arms
2 hydraulic functions – Independent arm control	Wear strips under frame
Quick-release lower mountings, Class II or Class III	Frame bumper

AVAILABLE ON REQUEST

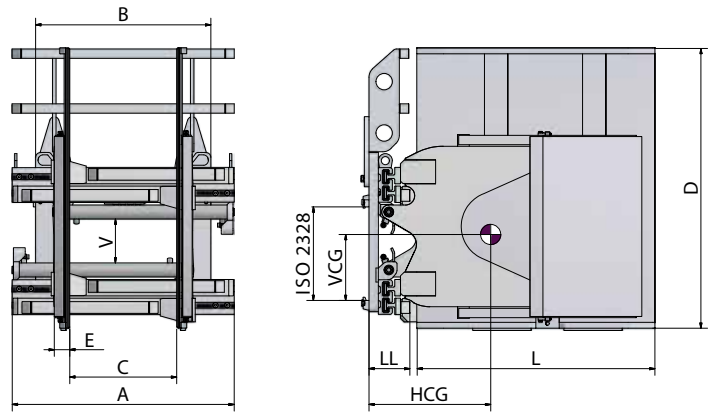
Different arm dimensions
Class B mounting arms
Waste paper box arm model

*Opening range measured at the arm tip

5.5 APPLIANCE AND CARTON CLAMPS – ARTICULATING PADS UHEA-T

TECHNICAL DETAILS:

- 2 hydraulic functions
- Maximum pressure 2,600 psi
- Recommended oil flow 7 gpm
- Models with integrated sideshifting



Model	Capacity	A Opening Range	B	Arms LxDxE	C	V	LL	HCG	VCG	Weight	Mounting Class
SYUHEA10-A0T-7612	1,500lb @ 15.0" (680kg @ 380mm)	22.5" - 76.3"	41.3"	30" x 48" x 2.3"	29.5"	7.5"	5.7"	12.7"	12.5"	1,113lb (505kg)	II
SYUHEA10-A0T-8112	1,500lb @ 16.0" (680kg @ 405mm)	22.5" - 76.3"	41.3"	32" x 48" x 2.3"	29.5"	7.5"	5.7"	13.0"	12.7"	1,166lb (529kg)	II
SYUHEA10-A0T-10112	1,500lb @ 20.0" (680kg @ 510mm)	22.5" - 76.3"	41.3"	40" x 48" x 2.3"	29.5"	7.5"	5.7"	14.4"	13.0"	1,318lb (598kg)	II
SYUHEA10-A0T-10612	1,500lb @ 21.0" (680kg @ 535mm)	22.5" - 76.3"	41.3"	42" x 48" x 2.3"	29.5"	7.5"	5.7"	14.5"	13.2"	1,327lb (602kg)	II
SYUHEA10-A0T-11612	1,500lb @ 23.0" (680kg @ 585mm)	22.5" - 76.3"	41.3"	46" x 48" x 2.3"	29.5"	7.5"	5.7"	16.6"	13.5"	1,388lb (630kg)	II
SYUHEA10-A0T-1212	1,500lb @ 24.0" (680kg @ 600mm)	22.5" - 76.3"	41.3"	48" x 48" x 2.3"	29.5"	7.5"	5.7"	16.8"	13.5"	1,410lb (640kg)	II
SYUHEA14-A0T-7612	2,500lb @ 15.0" (1,135kg @ 380mm)	22.5" - 76.3"	41.3"	30" x 48" x 2.3"	29.5"	7.5"	5.7"	12.7"	12.5"	1,113lb (505kg)	II
SYUHEA14-A0T-10112	2,500lb @ 20.0" (1,136kg @ 510mm)	22.5" - 76.3"	41.3"	40" x 48" x 2.3"	29.5"	7.5"	5.7"	14.4"	13.0"	1,318lb (598kg)	II
SYUHEA14-B0T-10612	2,500lb @ 21.0" (1,137kg @ 535mm)	22.5" - 76.3"	41.3"	42" x 48" x 2.3"	29.5"	7.5"	5.7"	14.5"	13.2"	1,327lb (602kg)	II
SYUHEA14-B0T-11612	2,500lb @ 23.0" (1,138kg @ 585mm)	22.5" - 76.3"	41.3"	46" x 48" x 2.3"	29.5"	7.5"	5.7"	16.6"	13.5"	1,388lb (630kg)	II
SYUHEA14-B0T-1212	2,500lb @ 24.0" (1,139kg @ 600mm)	22.5" - 76.3"	41.3"	48" x 48" x 2.3"	29.5"	7.5"	5.7"	16.8"	13.5"	1,410lb (640kg)	II
SYUHEA14-D0T-1212	2,500lb @ 24.0" (1,135kg @ 610mm)	25.0" - 102"	60.0"	48" x 48" x 2.3"	32.5"	7.8"	5.7"	17.3"	13.2"	1,730lb (785kg)	II
SYUHEA18-B0T-10112	3,500lb @ 20.0" (1,590kg @ 510mm)	22.5" - 76.3"	41.3"	40" x 48" x 2.4"	29.5"	7.5"	6.5"	14.9"	12.6"	1,428lb (648kg)	II
SYUHEA18-B0T-10612	3,500lb @ 21.0" (1,590kg @ 535mm)	22.5" - 76.3"	41.3"	42" x 48" x 2.4"	29.5"	7.5"	6.5"	15.1"	12.6"	1,501lb (681kg)	II
SYUHEA18-B0T-11612	3,500lb @ 23.0" (1,590kg @ 585mm)	22.5" - 76.3"	41.3"	46" x 48" x 2.4"	29.5"	7.5"	6.5"	15.3"	12.5"	1,538lb (698kg)	II
SYUHEA18-B0T-1212	3,500lb @ 24.0" (1,590kg @ 600mm)	22.5" - 76.3"	41.3"	48" x 48" x 2.4"	29.5"	7.5"	6.5"	15.5"	12.4"	1,563lb (709kg)	II
SYUHEA18-B0T-13212	3,300lb @ 26.0" (1,500kg @ 660mm)	22.5" - 76.3"	41.3"	52" x 48" x 2.4"	29.5"	7.5"	6.5"	15.7"	12.3"	1,635lb (742kg)	II
SYUHEA18-B0T-13712	3,200lb @ 27.0" (1,455kg @ 685mm)	22.5" - 76.3"	41.3"	54" x 48" x 2.4"	29.5"	7.5"	6.5"	15.8"	12.3"	1,675lb (762kg)	II
SYUHEA18-B0T-1412	3,000lb @ 28.0" (1,360kg @ 710mm)	22.5" - 76.3"	41.3"	56" x 48" x 2.4"	29.5"	7.5"	6.5"	15.9"	12.2"	1,697lb (770kg)	II
SYUHEA18-B0T-101137	3,500lb @ 20.0" (1,590kg @ 510mm)	22.5" - 76.3"	41.3"	40" x 54" x 2.4"	29.5"	7.5"	6.5"	15.1"	13.9"	1,477lb (670kg)	II
SYUHEA18-B0T-106137	3,500lb @ 21.0" (1,590kg @ 535mm)	22.5" - 76.3"	41.3"	42" x 54" x 2.4"	29.5"	7.5"	6.5"	15.3"	13.9"	1,479lb (671kg)	II
SYUHEA18-B0T-116137	3,500lb @ 23.0" (1,590kg @ 585mm)	22.5" - 76.3"	41.3"	46" x 54" x 2.4"	29.5"	7.5"	6.5"	15.6"	13.8"	1,609lb (730kg)	II
SYUHEA18-B0T-12213	3,500lb @ 24.0" (1,590kg @ 600mm)	22.5" - 76.3"	41.3"	48" x 54" x 2.4"	29.5"	7.5"	6.5"	15.9"	13.7"	1,620lb (735kg)	II
SYUHEA18-B0T-13213	3,300lb @ 26.0" (1,500kg @ 660mm)	22.5" - 76.3"	41.3"	52" x 54" x 2.4"	29.5"	7.5"	6.5"	16.7"	13.6"	1,723lb (782kg)	II
SYUHEA18-B0T-13713	3,200lb @ 27.0" (1,455kg @ 685mm)	22.5" - 76.3"	41.3"	54" x 54" x 2.4"	29.5"	7.5"	6.5"	17.2"	13.6"	1,748lb (793kg)	II
SYUHEA18-B0T-10115	3,500lb @ 20.0" (1,590kg @ 510mm)	22.5" - 76.3"	41.3"	40" x 60" x 2.4"	29.5"	7.5"	6.5"	15.6"	14.7"	1,554lb (705kg)	II
SYUHEA18-B0T-10615	3,500lb @ 21.0" (1,590kg @ 535mm)	22.5" - 76.3"	41.3"	42" x 60" x 2.4"	29.5"	7.5"	6.5"	16.2"	14.6"	1,570lb (712kg)	II

Model	Capacity	A Opening Range	B	Arms LxDxE	C	V	LL	HCG	VCG	Weight	Mounting Class
SYUHEA18-B0T-11615	3,500lb @ 23.0" (1,590kg @ 585mm)	22.5" - 76.3"	41.3"	46" x 60" x 2.4"	29.5"	7.5"	6.5"	17.7"	14.6"	1,673lb (759kg)	II
SYUHEA18-B0T-12215	3,500lb @ 24.0" (1,590kg @ 600mm)	22.5" - 76.3"	41.3"	48" x 60" x 2.4"	29.5"	7.5"	6.5"	17.9"	14.5"	1,682lb (763kg)	II
SYUHEA18-B0T-13215	3,300lb @ 26.0" (1,500kg @ 660mm)	22.5" - 76.3"	41.3"	52" x 60" x 2.4"	29.5"	7.5"	6.5"	18.2"	14.5"	1,785lb (810kg)	II
SYUHEA18-B0T-13715	3,200lb @ 27.0" (1,455kg @ 685mm)	22.5" - 76.3"	41.3"	54" x 60" x 2.4"	29.5"	7.5"	6.5"	18.4"	14.3"	1,827lb (829kg)	II
SYUHEA22-A0T-10115	5,000lb @ 20.0" (2,270kg @ 510mm)	21.2" - 73.2"	41.3"	40" x 60" x 2.7"	29.5"	7.5"	6.5"	18.6"	17.2"	1,951lb (885kg)	III
SYUHEA22-A0T-10615	5,000lb @ 21.0" (2,270kg @ 535mm)	21.2" - 73.2"	41.3"	40" x 60" x 2.7"	29.5"	7.5"	6.5"	18.7"	17.3"	2,200lb (998kg)	III
SYUHEA22-A0T-11115	5,000lb @ 22.0" (2,270kg @ 560mm)	21.2" - 73.2"	41.3"	40" x 60" x 2.7"	29.5"	7.5"	6.5"	18.9"	17.3"	2,017lb (915kg)	III
SYUHEA22-A0T-11615	5,000lb @ 23.0" (2,270kg @ 585mm)	21.2" - 73.2"	41.3"	40" x 60" x 2.7"	29.5"	7.5"	6.5"	19.3"	16.7"	2,070lb (939kg)	III
SYUHEA22-A0T-1215	5,000lb @ 24.0" (2,270kg @ 600mm)	21.2" - 73.2"	41.3"	40" x 60" x 2.7"	29.5"	7.5"	6.5"	19.6"	16.6"	2,114lb (959kg)	III

Options

For models without sideshifting

Separate sideshifting 8" for mounting Class II

2 hydraulic functions - Independent arm control

Quick-release lower mountings, Class II

Flow divider

AVAILABLE ON REQUEST

Different contact pads



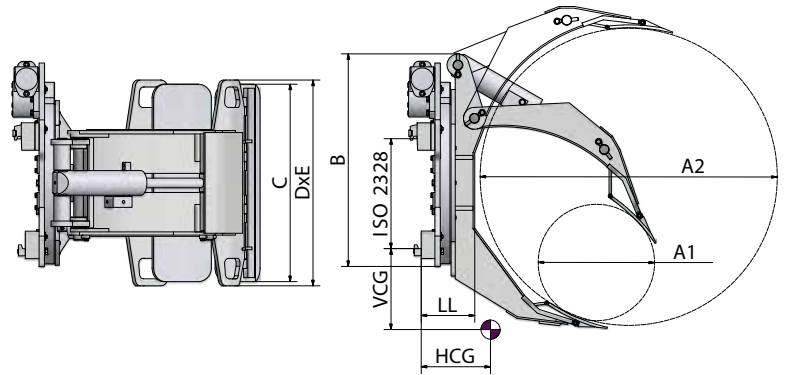
CHAPTER OVERVIEW

- | | | | |
|------------|--|------|----|
| 6.1 | Rotating paper roll clamps 360° | CR | 51 |
| 6.2 | Rotating paper roll clamps - split arms 360° | CR-S | 53 |

6.1 ROTATING PAPER ROLL CLAMPS 360° CR

TECHNICAL DETAILS:

- 2 hydraulic functions
- Maximum pressure 2,300 psi
- Recommended oil flow 8 gpm
- LL and CG are in inches with mounting angle 2°
- F – Distance from the ground
- G – Pad protectors encumbrance



Model	Capacity For Diameter	A Roll Range Min/Max	B	C	DxE	LL	HCG	Weight 180°	Weight 360°	VCG	Mounting Class	F	G
SYCR1050*	2,200lb @ 39.4" (1000kg @ 1000mm)	17.7"/39.4"	39.0"	13.0"	28.3" x 9.1"	7.7"	7.9"	-	859lb (390kg)	11.5"	II	-	-
SYCR1355*	2,800lb @ 43.3" (1270kg @ 1100mm)	9.8"/43.3"	35.0"	27.2"	28.3" x 9.1"	8.1"	8.5"	-	992lb (450kg)	11.7"	II	3.0"	30.3"
SYCR1265*	2,600lb @ 51.2" (1180kg @ 1300mm)	9.8"/51.2"	46.9"	26.6"	28.3" x 9.8"	9.8"	10.4"	1,168lb (530kg)	1,157lb (525kg)	12.1"	II	3.0"	30.3"
SYCR1266	2,600lb @ 51.2" (1180kg @ 1300mm)	17.7"/51.2"	46.9"	26.6"	28.3" x 9.8"	9.8"	10.4"	1,168lb (530kg)	1,157lb (525kg)	12.0"	II	3.0"	30.3"
SYCR1276	2,600lb @ 59.0" (1180kg @ 1500mm)	17.7"/59.1"	46.9"	26.6"	28.3" x 9.8"	6.9"	11.4"	1,124lb (510kg)	1,091lb (495kg)	11.5"	II	3.0"	30.3"
SYCR1281	2,600lb @ 63.0" (1180kg @ 1600mm)	17.7"/63.0"	46.9"	26.6"	28.3" x 9.8"	6.9"	11.6"	1,157lb (525kg)	1,146lb (520kg)	11.7"	II	3.0"	30.3"
SYCR1655*	3,500lb @ 43.3" (1590kg @ 1100mm)	9.8"/43.3"	35.0"	27.2"	32.3" x 9.8"	8.1"	8.5"	-	1,102lb (500kg)	11.7"	II	3.0"	34.3"
SYCR1656	3,500lb @ 43.3" (1590kg @ 1100mm)	17.7"/43.3"	35.0"	27.2"	32.3" x 9.8"	8.1"	8.5"	-	1,102lb (500kg)	11.7"	II	3.0"	34.3"
SYCR1665*	3,500lb @ 51.2" (1590kg @ 1300mm)	9.8"/51.2"	46.9"	27.8"	32.3" x 9.8"	9.8"	9.3"	1,179lb (535kg)	1,168lb (530kg)	11.7"	II	3:03	34.3"
SYCR1666	3,500lb @ 51.2" (1590kg @ 1300mm)	19.7"/51.2"	46.9"	27.8"	32.3" x 9.8"	9.8"	9.3"	1,179lb (535kg)	1,168lb (530kg)	11.7"	II	3:03	34.3"
SYCR1865*	3,900lb @ 51.2" (1770kg @ 1300mm)	9.8"/51.2"	34.4"	33.5"	32.3" x 9.8"	8.3"	9.6"	1,190lb (540kg)	1,179lb (535kg)	11.5"	II	6.1"	34.3"
SYCR1866	3,900lb @ 51.2" (1770kg @ 1300mm)	19.7"/51.2"	34.4"	33.5"	32.3" x 9.8"	8.3"	9.6"	1,190lb (540kg)	1,179lb (535kg)	11.5"	II	6.1"	34.3"
SYCR1680*	3,500lb @ 63.0" (1590kg @ 1600mm)	9.8"/63.0"	46.9"	33.5"	32.3" x 9.8"	6.9"	12.0"	1,499lb (680kg)	1,466lb (665kg)	11.7"	II/III	6.1"	34.3"
SYCR1681	3,500lb @ 63.0" (1590kg @ 1600mm)	19.7"/63.0"	46.9"	33.5"	32.3" x 9.8"	6.9"	12.0"	1,499lb (680kg)	1,466lb (665kg)	11.7"	II/III	6.1"	34.3"
SYCR2265*	4,800lb @ 51.2" (2180kg @ 1300mm)	9.8"/51.2"	34.4"	33.5"	32.3" x 9.8"	8.3"	9.6"	1,223lb (595kg)	1,212lb (590kg)	12.5"	II	6.1"	34.3"
SYCR2266	4,800lb @ 51.2" (2180kg @ 1300mm)	19.7"/51.2"	34.4"	33.5"	32.3" x 9.8"	8.3"	9.6"	1,223lb (595kg)	1,212lb (590kg)	12.5"	II	6.1"	34.3"
SYCR2070*	4,400lb @ 55.1" (2000kg @ 1400mm)	9.8"/55.1"	34.4"	33.5"	32.3" x 9.8"	7.7"	9.8"	1,510lb (685kg)	1,477lb (670kg)	12.3"	III	6.1"	34.3"
SYCR2071	4,400lb @ 55.1" (2000kg @ 1400mm)	19.7"/55.1"	34.4"	33.5"	32.3" x 9.8"	7.7"	9.8"	1,510lb (685kg)	1,477lb (670kg)	12.3"	III	6.1"	34.3"
SYCR2565*	5,500lb @ 51.2" (2490kg @ 1300mm)	9.8"/51.2"	34.4"	33.5"	40.2" x 9.8"	7.7"	11.0"	1,598lb (725kg)	1,565lb (710kg)	16.2"	III	6.1"	42.1"
SYCR2566	5,500lb @ 51.2" (2490kg @ 1300mm)	19.7"/51.2"	34.4"	33.5"	40.2" x 9.8"	7.7"	11.0"	1,598lb (725kg)	1,565lb (710kg)	16.2"	III	6.1"	42.1"
SYCR2080*	4,400lb @ 63.0" (2000kg @ 1600mm)	9.8"/63.0"	46.9"	33.5"	40.2" x 9.8"	6.9"	12.8"	1,730lb (785kg)	1,697lb (770kg)	16.4"	III	6.1"	42.1"
SYCR2081	4,400lb @ 63.0" (2000kg @ 1600mm)	19.7"/63.0"	46.9"	33.5"	40.2" x 9.8"	6.9"	12.8"	1,730lb (785kg)	1,697lb (770kg)	16.4"	III	6.1"	42.1"
SYCR10105*	2,200lb @ 82.7" (1000kg @ 2100mm)	25.6"/82.7"	51.2"	26.8"	47.2" x 11.0"	7.5"	16.9"	1,862lb (845kg)	1,829lb (830kg)	16.1"	III	6.1"	42.1"
SYCR3065*	6,600lb @ 51.2" (2990kg @ 1300mm)	9.8"/51.2"	34.4"	36.8"	40.2" x 9.8"	7.9"	10.2"	1,719lb (780kg)	1,686lb (765kg)	15.5"	III/IV	6.9"	42.1"
SYCR3066	6,600lb @ 51.2" (2990kg @ 1300mm)	17.7"/51.2"	34.4"	36.8"	40.2" x 9.8"	7.9"	10.2"	1,719lb (780kg)	1,686lb (765kg)	15.6"	III/IV	6.9"	42.1"
SYCR2580*	5,500lb @ 63.0" (2490kg @ 1600mm)	9.8"/63.0"	34.4"	36.8"	40.2" x 9.8"	7.9"	13.0"	1,774lb (805kg)	1,741lb (790kg)	15.9"	III/IV	6.9"	42.1"
SYCR2581	5,500lb @ 63.0" (2490kg @ 1600mm)	19.7"/63.0"	34.4"	36.8"	40.2" x 9.8"	7.9"	13.0"	1,774lb (805kg)	1,741lb (790kg)	15.9"	III/IV	6.9"	42.1"

ROLL CLAMPS

Model	Capacity For Diameter	A Roll Range Min/Max	B	C	DxE	LL	HCG	Weight 180°	Weight 360°	VCG	Mounting Class	F	G
SYCR2390*	5,000lb @ 72.0" (2270kg @ 1830mm)	11.8"/72.0"	43.3"	36.8"	40.2" x 9.8"	7.9"	14.2"	2,127lb (945kg)	2,094lb (930kg)	16.2"	III/IV	6.9"	42.1"
SYCR2391	5,000lb @ 72.0" (2270kg @ 1830mm)	21.7"/72.0"	43.3"	36.8"	40.2" x 9.8"	7.9"	14.2"	2,127lb (945kg)	2,094lb (930kg)	16.2"	III/IV	6.9"	42.1"
SYCR2590*	5,500lb @ 72.0" (2,490kg @ 1,830mm)	11.8"/72.0"	43.3"	36.8"	40.2" x 9.8"	7.9"	14.2"	2,171lb (985kg)	2,138lb (970kg)	16.3"	III/IV	6.9"	42.1"
SYCR2591	5,500lb @ 72.0" (2,490kg @ 1,830mm)	21.7"/72.0"	43.3"	36.8"	40.2" x 9.8"	7.9"	14.2"	2,171lb (985kg)	2,138lb (970kg)	16.3"	III/IV	6.9"	42.1"
SYCR3070*	6,600lb @ 55.1" (2,990kg @ 1,400mm)	9.8"/55.1"	34.4"	36.8"	40.2" x 9.8"	7.9"	10.4"	1,730lb (785kg)	1,697lb (770kg)	16.9"	III/IV	6.9"	42.1"
SYCR3071	6,600lb @ 55.1" (2,990kg @ 1,400mm)	19.7"/55.1"	34.4"	36.8"	40.2" x 9.8"	7.9"	10.4"	1,730lb (785kg)	1,697lb (770kg)	16.9"	III/IV	6.9"	42.1"
SYCR3075*	6,600lb @ 59.0" (2,990kg @ 1,500mm)	9.8"/59.1"	34.4"	36.8"	40.2" x 9.8"	7.9"	11.6"	1,785lb (810kg)	1,752lb (795kg)	16.8"	III/IV	6.9"	42.1"
SYCR3076	6,600lb @ 59.0" (2,990kg @ 15,00mm)	19.7"/59.1"	34.4"	36.8"	40.2" x 9.8"	7.9"	11.6"	1,785lb (810kg)	1,752lb (795kg)	16.8"	III/IV	6.9"	42.1"
SYCR3565*	7,700lb @ 51.2" (3,490kg @ 1,300mm)	9.8"/51.2"	43.3"	41.0"	47.2" x 11.0"	8.7"	12.0"	2,347lb (1,065kg)	2,314lb (1,050kg)	18.3"	III/IV	6.9"	49.2"
SYCR3566	7,700lb @ 51.2" (3,490kg @ 1,300mm)	19.7"/51.2"	43.3"	41.0"	47.2" x 11.0"	8.7"	12.0"	2,347lb (1,065kg)	2,314lb (1,050kg)	18.3"	III/IV	6.9"	49.2"
SYCR3370*	7,200lb @ 55.1" (3,270kg @ 1,400mm)	9.8"/55.1"	41.3"	41.0"	47.2" x 11.0"	8.1"	11.4"	2,160lb (980kg)	2,127lb (965kg)	19.2"	III/IV	6.9"	49.2"
SYCR3371	7,200lb @ 55.1" (3,270kg @ 1,400mm)	19.7"/55.1"	41.3"	41.0"	47.2" x 11.0"	8.1"	11.4"	2,160lb (980kg)	2,127lb (965kg)	19.2"	III/IV	6.9"	49.2"
SYCR3375*	7,200lb @ 59.0" (3,270kg @ 1500mm)	9.8"/59.1"	43.3"	41.0"	47.2" x 11.0"	8.5"	12.6"	2,380lb (1,080kg)	2,347lb (1,065kg)	19.2"	III/IV	6.9"	49.2"
SYCR3376	7,200lb @ 59.0" (3,270kg @ 1,500mm)	19.7"/59.1"	43.3"	41.0"	47.2" x 11.0"	8.5"	12.6"	2,380lb (1,080kg)	2,347lb (1,065kg)	19.5"	III/IV	6.9"	49.2"
SYCR3280*	7,000lb @ 63.0" (3,180kg @ 1,600mm)	9.8"/63.0"	43.3"	41.0"	47.2" x 11.0"	8.5"	12.6"	2,402lb (1,090kg)	2,369lb (1,075kg)	19.5"	III/IV	6.9"	49.2"
SYCR3281	7,000lb @ 63.0" (3,180kg @ 1,600mm)	19.7"/63.0"	43.3"	41.0"	47.2" x 11.0"	8.5"	12.6"	2,402lb (1,090kg)	2,369lb (1,075kg)	19.5"	III/IV	6.9"	49.2"
SYCR3090*	6,600lb @ 72.0" (2,990kg @ 1,830mm)	11.8"/72.0"	43.3"	41.0"	47.2" x 11.0"	8.7"	14.6"	2,402lb (1,090kg)	2,369lb (1,075kg)	19.7"	III/IV	6.9"	49.2"
SYCR3091	6,600lb @ 72.0" (2,990kg @ 1,830mm)	21.7"/72.0"	43.3"	41.0"	47.2" x 11.0"	8.7"	14.6"	2,402lb (1,090kg)	2,369lb (1,075kg)	19.7"	III/IV	6.9"	49.2"
SYCR3580*	7,700lb @ 63.0" (3,490kg @ 1,600mm)	9.8"/63.0"	43.3"	41.0"	47.2" x 11.0"	8.5"	12.6"	2,766lb (1,255kg)	2,733lb (1,240kg)	19.7"	IV	6.9"	49.2"
SYCR3581	7,700lb @ 63.0" (3,490kg @ 1,600mm)	19.7"/63.0"	43.3"	41.0"	47.2" x 11.0"	8.5"	12.6"	2,766lb (1,255kg)	2,733lb (1,240kg)	19.8"	IV	6.9"	49.2"
SYCR4565*	9,900lb @ 51.2" (4,490kg @ 1,300mm)	9.8"/51.2"	43.3"	41.0"	47.2" x 11.0"	8.7"	12.6"	2,843lb (1,290kg)	2,810lb (1,275kg)	20.1"	IV	6.9"	49.2"
SYCR4566	9,900lb @ 51.2" (4,490kg @ 1,300mm)	19.7"/51.2"	43.3"	41.0"	47.2" x 11.0"	8.7"	12.6"	2,843lb (1,290kg)	2,810lb (1,275kg)	20.1"	IV	6.9"	49.2"
SYCR4275*	9,200lb @ 59.0" (4,170kg @ 1,500mm)	9.8"/59.1"	43.3"	41.0"	47.2" x 11.0"	8.5"	12.2"	2,843lb (1,290kg)	2,810lb (1,275kg)	20.2"	IV	6.9"	49.2"
SYCR4276	9,200lb @ 59.0" (4,170kg @ 1500mm)	19.7"/59.1"	43.3"	41.0"	47.2" x 11.0"	8.5"	12.2"	2,843lb (1,290kg)	2,810lb (1,275kg)	20.2"	IV	6.9"	49.2"
SYCR4080*	8,800lb @ 63.0" (3,990kg @ 1,600mm)	9.8"/63.0"	43.3"	41.0"	47.2" x 11.0"	8.5"	12.2"	2,876lb (1,305kg)	2,843lb (1,290kg)	20.4"	IV	6.9"	49.2"
SYCR4081	8,800lb @ 63.0" (3,990kg @ 1,600mm)	19.7"/63.0"	43.3"	41.0"	47.2" x 11.0"	8.5"	12.2"	2,876lb (1,305kg)	2,843lb (1,290kg)	20.4"	IV	6.9"	49.2"
SYCR3890*	8,300lb @ 72.0" (3,760kg @ 1,830mm)	21.7"/72.0"	43.3"	41.0"	47.2" x 11.0"	9.1"	11.8"	2,976lb (1,350kg)	2,943lb (1,335kg)	20.4"	IV	6.9"	49.2"
SYCR33100*	7,200lb @ 78.7" (3,270kg @ 2,000mm)	17.7"/78.7"	55.1"	41.3"	47.2" x 11.0"	8.3"	16.1"	3,009lb (1,365kg)	2,976lb (1,350kg)	20.4"	4	6.9"	49.2"
SYCR25105*	5,500lb @ 82.7" (2,490kg @ 2,100mm)	21.7"/82.7"	55.1"	41.3"	63.0" x 13.8"	8.3"	20.9"	3,119lb (1,415kg)	3,086lb (1,400kg)	25.3"	4	6.9"	65.0"

AVAILABLE ON REQUEST

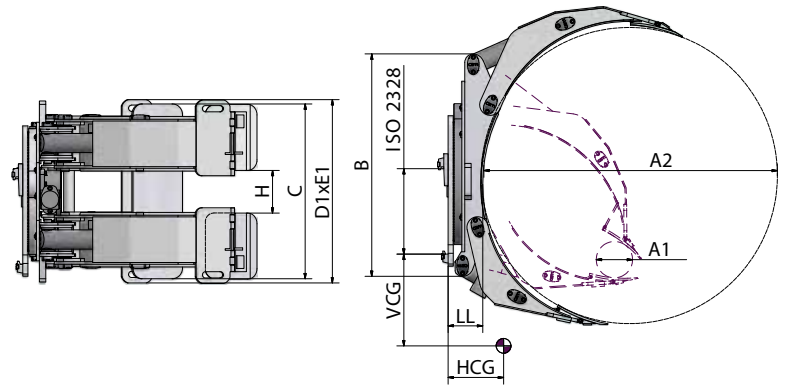
Different contact pads
 Different pad covers (black rubber, yellow non-marking rubber, plain steel, etc)
 Models for tissue paper
 180° rotation system

*Positionable short arm

6.2 ROTATING PAPER ROLL CLAMPS - SPLIT ARMS 360° CR-S

TECHNICAL DETAILS:

- 2 hydraulic functions
- Maximum pressure 2,300 psi
- Recommended oil flow 8 gpm
- LL and CG are in inches with mounting angle 2°
- F – ground clearance
- G – pad protectors encumbrance



Model	Capacity For Diameter	A Roll Range Min/Max	B	C	D1xE1	H	LL	HCG	Weight 180°	Weight 360°	VCG	Mounting Class	F	G
SYCR1665.S*	3,500lb @ 51.2" (1,590kg @ 1,300mm)	9.8"/51.2"	46.9"	27.8"	32.3" x 9.8"	7.9"	9.8"	9.3"	1,179lb (535kg)	1,168lb (530kg)	11.7"	II/III	3.3"	34.3"
SYCR1666.S	3,500lb @ 51.2" (1,590kg @ 1,300mm)	19.7"/51.2"	46.9"	27.8"	32.3" x 9.8"	7.9"	9.8"	9.3"	1,179lb (535kg)	1,168lb (530kg)	11.7"	II/III	3.3"	34.3"
SYCR1865.S*	3,900lb @ 51.2" (1,770kg @ 1,300mm)	9.8"/51.2"	35.4"	33.5"	32.3" x 9.8"	7.9"	6.9"	9.6"	1,190lb (540kg)	1,179lb (535kg)	11.5"	II/III	6.1"	34.3"
SYCR1866.S	3,900lb @ 51.2" (1,770kg @ 1,300mm)	19.7"/51.2"	35.4"	33.5"	32.3" x 9.8"	7.9"	6.9"	9.6"	1,190lb (540kg)	1,179lb (535kg)	11.5"	II/III	6.1"	34.3"
SYCR1680.S*	3,500lb @ 63.0" (1,590kg @ 1,600mm)	9.8"/63.0"	46.9"	33.5"	32.3" x 9.8"	7.9"	6.9"	12.0"	1,499lb (680kg)	1,466lb (665kg)	11.7"	II/III	6.1"	34.3"
SYCR1681.S	3,500lb @ 63.0" (1,590kg @ 1,600mm)	19.7"/63.0"	46.9"	33.5"	32.3" x 9.8"	7.9"	6.9"	12.0"	1,499lb (680kg)	1,466lb (665kg)	11.7"	II/III	6.1"	34.3"
SYCR2265.S*	4,800lb @ 51.2" (2,180kg @ 1,300mm)	9.8"/51.2"	35.4"	33.5"	32.3" x 9.8"	7.9"	6.9"	9.6"	1,223lb (595kg)	1,212lb (590kg)	12.5"	II/III	6.1"	34.3"
SYCR2266.S	4,800lb @ 51.2" (2,180kg @ 1,300mm)	19.7"/51.2"	35.4"	33.5"	32.3" x 9.8"	7.9"	6.9"	9.6"	1,223lb (595kg)	1,212lb (590kg)	12.5"	II/III	6.1"	34.3"
SYCR2070.S*	4,400lb @ 55.1" (2,000kg @ 1,400mm)	9.8"/55.1"	35.4"	33.5"	32.3" x 9.8"	7.9"	7.7"	9.8"	1,510lb (685kg)	1,477lb (670kg)	12.3"	II/III	6.1"	34.3"
SYCR2071.S	4,400lb @ 55.1" (2,000kg @ 1,400mm)	19.7"/55.1"	35.4"	33.5"	32.3" x 9.8"	7.9"	7.7"	9.8"	1,510lb (685kg)	1,477lb (670kg)	12.3"	II/III	6.1"	34.3"
SYCR2565.S*	5,500lb @ 51.2" (2,490kg @ 1,300mm)	9.8"/51.2"	35.4"	33.5"	40.2" x 9.8"	7.9"	7.7"	11.0"	1,598lb (725kg)	1,565lb (710kg)	16.2"	II/III	6.1"	42.1"
SYCR2566.S	5,500lb @ 51.2" (2,490kg @ 1,300mm)	19.7"/51.2"	35.4"	33.5"	40.2" x 9.8"	7.9"	7.7"	11.0"	1,598lb (725kg)	1,565lb (710kg)	16.2"	II/III	6.1"	42.1"
SYCR2080.S*	4,400lb @ 63.0" (2,000kg @ 1,600mm)	9.8"/63.0"	46.9"	33.5"	40.2" x 9.8"	7.9"	6.9"	12.8"	1,730lb (785kg)	1,697lb (770kg)	16.4"	III	6.1"	42.1"
SYCR2081.S	4,400lb @ 63.0" (2,000kg @ 1,600mm)	19.7"/63.0"	46.9"	33.5"	40.2" x 9.8"	7.9"	6.9"	12.8"	1,730lb (785kg)	1,697lb (770kg)	16.4"	III	6.1"	42.1"
SYCR3065.S*	6,600lb @ 51.2" (2,990kg @ 1,300mm)	9.8"/51.2"	35.4"	36.8"	40.2" x 9.8"	7.9"	7.9"	10.2"	1,719lb (780kg)	1,686lb (765kg)	15.5"	III/IV	6.9"	42.1"
SYCR3066.S	6,600lb @ 51.2" (2,990kg @ 1,300mm)	19.7"/51.2"	35.4"	36.8"	40.2" x 9.8"	7.9"	7.9"	10.2"	1,719lb (780kg)	1,686lb (765kg)	15.6"	III/IV	6.9"	42.1"
SYCR2580.S*	5,500lb @ 63.0" (2,490kg @ 1,600mm)	9.8"/63.0"	35.4"	36.8"	40.2" x 9.8"	7.9"	7.9"	13.0"	1,774lb (805kg)	1,641lb (790kg)	15.9"	III/IV	6.9"	42.1"
SYCR2581.S	5,500lb @ 63.0" (2,490kg @ 1,600mm)	19.7"/63.0"	35.4"	36.8"	40.2" x 9.8"	7.9"	7.9"	13.0"	1,774lb (805kg)	1,641lb (790kg)	15.9"	III/IV	6.9"	42.1"
SYCR2390.S*	5,000lb @ 72.0" (2,270kg @ 1,830mm)	11.8"/72.0"	43.3"	36.8"	40.2" x 9.8"	7.9"	7.9"	14.2"	2,083lb (945kg)	2,050lb (930kg)	16.2"	III/IV	6.9"	42.1"
SYCR2391.S	5,000lb @ 72.0" (2,270kg @ 1,830mm)	21.7"/72.0"	43.3"	36.8"	40.2" x 9.8"	7.9"	7.9"	14.2"	2,083lb (945kg)	2,050lb (930kg)	16.2"	III/IV	6.9"	42.1"
SYCR2590.S*	5,500lb @ 72.0" (2,490kg @ 1,830mm)	11.8"/72.0"	43.3"	36.8"	40.2" x 9.8"	7.9"	7.9"	14.2"	2,171lb (985kg)	2,138lb (970kg)	16.3"	III/IV	6.9"	42.1"
SYCR2591.S	5,500lb @ 72.0" (2,490kg @ 1,830mm)	21.7"/72.0"	43.3"	36.8"	40.2" x 9.8"	7.9"	7.9"	14.2"	2,171lb (985kg)	2,138lb (970kg)	16.3"	III/IV	6.9"	42.1"
SYCR3070.S*	6,600lb @ 55.1" (2,990kg @ 1,400mm)	9.8"/55.1"	35.4"	36.8"	40.2" x 9.8"	7.9"	7.9"	10.4"	1,730lb (785kg)	1,697lb (770kg)	16.9"	III/IV	6.9"	42.1"
SYCR3071.S	6,600lb @ 55.1" (2,990kg @ 1,400mm)	19.7"/55.1"	35.4"	36.8"	40.2" x 9.8"	7.9"	7.9"	10.4"	1,730lb (785kg)	1,697lb (770kg)	16.9"	III/IV	6.9"	42.1"
SYCR3075.S*	6,600lb @ 59.0" (2,990kg @ 1,500mm)	9.8"/59.1"	35.4"	36.8"	40.2" x 9.8"	7.9"	7.9"	11.6"	1,785lb (810kg)	1,752lb (795kg)	16.8"	III/IV	6.9"	42.1"
SYCR3076.S	6,600lb @ 59.0" (2,990kg @ 1,500mm)	19.7"/59.1"	35.4"	36.8"	40.2" x 9.8"	7.9"	7.9"	11.6"	1,785lb (810kg)	1,752lb (795kg)	16.8"	III/IV	6.9"	42.1"
SYCR3565.S*	7,700lb @ 51.2" (3,490kg @ 1,300mm)	9.8"/51.2"	43.3"	41.0"	47.2" x 11.0"	7.9"	8.7"	12.0"	23,47lb (1,065kg)	2,314lb (1,050kg)	18.3"	III/IV	6.9"	49.2"

ROLL CLAMPS

Model	Capacity For Diameter	A Roll Range Min/Max	B	C	D1xE1	H	LL	HCG	Weight 180°	Weight 360°	VCG	Mounting Class	F	G
SYCR3566.S	7,700lb @ 51.2" (3,490kg @ 1,300mm)	19.7"/51.2"	43.3"	41.0"	47.2" x 11.0"	7.9"	8.7"	12.0"	2,347lb (1,065kg)	2,314lb (1,050kg)	18.3"	III/IV	6.9"	49.2"
SYCR3370.S*	7,200lb @ 55.1" (3,270kg @ 1,400mm)	9.8"/55.1"	41.3"	41.0"	47.2" x 11.0"	7.9"	8.1"	11.4"	2,160lb (980kg)	2,127lb (965kg)	19.2"	III/IV	6.9"	49.2"
SYCR3371.S	7,200lb @ 55.1" (3,270kg @ 1,400mm)	19.7"/55.1"	41.3"	41.0"	47.2" x 11.0"	7.9"	8.1"	11.4"	2,160lb (980kg)	2,127lb (965kg)	19.2"	III/IV	6.9"	49.2"
SYCR3375.S*	7,200lb @ 59.0" (3,270kg @ 1,500mm)	9.8"/59.1"	43.3"	41.0"	47.2" x 11.0"	7.9"	8.5"	12.6"	2,380lb (1,080kg)	2,347lb (1,065kg)	19.2"	III/IV	6.9"	49.2"
SYCR3376.S	7,200lb @ 59.0" (3,270kg @ 1,500mm)	19.7"/59.1"	43.3"	41.0"	47.2" x 11.0"	7.9"	8.5"	12.6"	2,380lb (1,080kg)	2,347lb (1,065kg)	19.5"	III/IV	6.9"	49.2"
SYCR3280.S*	7,000lb @ 63.0" (3,180kg @ 1,600mm)	9.8"/63.0"	43.3"	41.0"	47.2" x 11.0"	7.9"	8.5"	12.6"	2,402lb (1,090kg)	2,369lb (1,075kg)	19.5"	III/IV	6.9"	49.2"
SYCR3281.S	7,000lb @ 63.0" (3,180kg @ 1,600mm)	19.7"/63.0"	43.3"	41.0"	47.2" x 11.0"	7.9"	8.5"	12.6"	2,402lb (1,090kg)	2,369lb (1,075kg)	19.5"	III/IV	6.9"	49.2"
SYCR3090.S*	6,600lb @ 72.0" (2,990kg @ 1,830mm)	11.8"/72.0"	43.3"	41.0"	47.2" x 11.0"	7.9"	8.7"	14.6"	2,402lb (1,090kg)	2,369lb (1,075kg)	19.7"	III/IV	6.9"	49.2"
SYCR3091.S	6,600lb @ 72.0" (2,990kg @ 1,830mm)	21.7"/72.0"	43.3"	41.0"	47.2" x 11.0"	7.9"	8.7"	14.6"	2,402lb (1,090kg)	2,369lb (1,075kg)	19.7"	III/IV	6.9"	49.2"
SYCR3580.S*	7,700lb @ 63.0" (3,490kg @ 1,600mm)	9.8"/63.0"	43.3"	41.0"	47.2" x 11.0"	7.9"	8.5"	12.6"	2,766lb (1,255kg)	2,733lb (1,240kg)	19.7"	IV	6.9"	49.2"
SYCR3581.S	7,700lb @ 63.0" (3,490kg @ 1,600mm)	19.7"/63.0"	43.3"	41.0"	47.2" x 11.0"	7.9"	8.5"	12.6"	2,766lb (1,255kg)	2,733lb (1,240kg)	19.8"	IV	6.9"	49.2"
SYCR4565.S*	9,900lb @ 51.2" (4,490kg @ 1,300mm)	9.8"/51.2"	43.3"	41.0"	47.2" x 11.0"	7.9"	8.7"	12.6"	2,843lb (1,290kg)	2,810lb (1,275kg)	20.1"	IV	6.9"	49.2"
SYCR4566.S	9,900lb @ 51.2" (4,490kg @ 1,300mm)	19.7"/51.2"	43.3"	41.0"	47.2" x 11.0"	7.9"	8.7"	12.6"	2,843lb (1,290kg)	2,810lb (1,275kg)	20.1"	IV	6.9"	49.2"
SYCR4275.S*	9,200lb @ 59.0" (4,170kg @ 1,500mm)	9.8"/59.1"	43.3"	41.0"	47.2" x 11.0"	7.9"	8.5"	12.2"	2,843lb (1,290kg)	2,810lb (1,275kg)	20.2"	IV	6.9"	49.2"
SYCR4276.S	9,200lb @ 59.0" (4,170kg @ 1,500mm)	19.7"/59.1"	43.3"	41.0"	47.2" x 11.0"	7.9"	8.5"	12.2"	2,843lb (1,290kg)	2,810lb (1,275kg)	20.2"	IV	6.9"	49.2"
SYCR4080.S*	8,800lb @ 63.0" (3,990kg @ 1,600mm)	9.8"/63.0"	43.3"	41.0"	47.2" x 11.0"	7.9"	8.5"	12.2"	2,876lb (1,305kg)	2,843lb (1,290kg)	20.4"	IV	6.9"	49.2"
SYCR4081.S	8,800lb @ 63.0" (3,990kg @ 1,600mm)	19.7"/63.0"	43.3"	41.0"	47.2" x 11.0"	7.9"	8.5"	12.2"	2,876lb (1,305kg)	2,843lb (1,290kg)	20.4"	IV	6.9"	49.2"
SYCR3890.S*	8,300lb @ 72.0" (3,760kg @ 1,830mm)	21.7"/72.0"	43.3"	41.0"	47.2" x 11.0"	7.9"	9.1"	11.8"	2,976lb (1,350kg)	2,943lb (1,335kg)	20.4"	IV	6.9"	49.2"

AVAILABLE ON REQUEST

- Different contact pads
- Different pad covers (black rubber, yellow non-marking rubber, plain steel, etc)
- Models for tissue paper
- 180° rotation system

*Positionable short arm





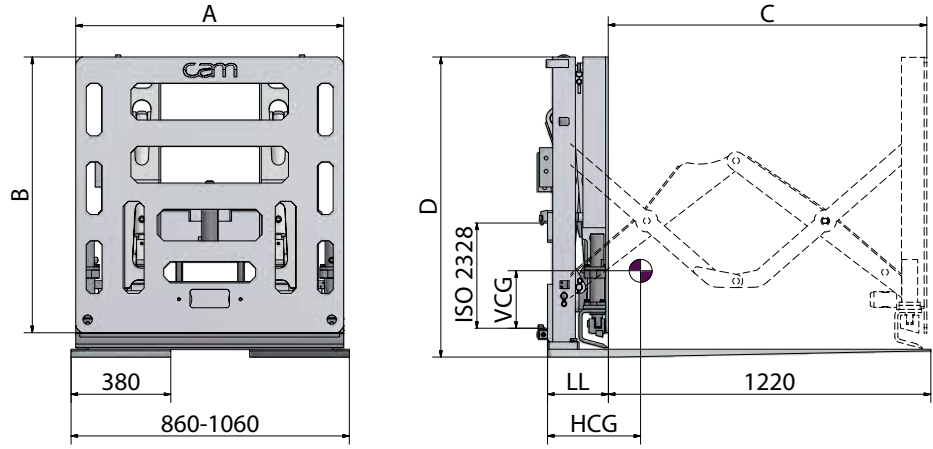
CHAPTER OVERVIEW

7.1	Push-pulls	<i>PP</i>	57
7.2	Push-pulls fork-mounted	<i>PP-I</i>	58

7.1 PUSH-PULLS PP

TECHNICAL DETAILS:

- Maximum pressure 2,300 psi
- Recommended oil flow 7 gpm
- Hook-on model
- No sheet retainer
- 1 hydraulic function



Model	Capacity 24" (600mm) Load Center	A	B	C	W Platen Size	D Outside Platen Spacing	VCG	LL	HCG	Weight	Mounting Class
SYPP1612	3,500lb (1,587kg)	40.0"	41.0"	50.0"	15.0"	34.0" - 41.7"	8.2"	9.1"	8.2"	1,444lb (625kg)	II
SYPP2012	4,500lb (2,041kg)	40.0"	41.0"	50.0"	15.0"	34.0" - 41.7"	8.1"	9.1"	8.1"	1,466lb (632kg)	II
SYPP1612A	3,500lb (1,587kg)	40.0"	41.0"	50.0"	18.0"	40.0" - 48.0"	7.9"	9.1"	8.4"	1,426lb (647kg)	II
SYPP2012A	4,500lb (2,041kg)	40.0"	41.0"	50.0"	18.0"	40.0" - 48.0"	7.8"	9.1"	8.3"	1,439lb (653kg)	II

Options

Hook-on model separate sidershifter

TECHNICAL DETAILS:

- Maximum pressure 2,300 psi
- Recommended oil flow 7 gpm
- Hook-on model
- With sheet retainer
- 1 hydraulic function

Model	Capacity 24" (600mm) Load Center	A	B	C	W Platen Size	D Outside Platen Spacing	VCG	LL	HCG	Weight	Mounting Class
SYPP1612S	3,500lb (1,587kg)	40.0"	41.0"	50.0"	15.0"	34.0" - 41.7"	8.5"	9.1"	8.3"	1,499lb (670kg)	II
SYPP2012S	4,500lb (2,041kg)	40.0"	41.0"	50.0"	15.0"	34.0" - 41.7"	8.6"	9.1"	8.1"	1,521lb (671kg)	II
SYPP1612SA	3,500lb (1,587kg)	40.0"	41.0"	50.0"	18.0"	40.0" - 44.0"	8.2"	9.1"	8.5"	1,503lb (682kg)	II
SYPP2012SA	4,500lb (2,041kg)	40.0"	41.0"	50.0"	18.0"	40.0" - 44.0"	8.1"	9.1"	8.2"	1,527lb (693kg)	II

Options

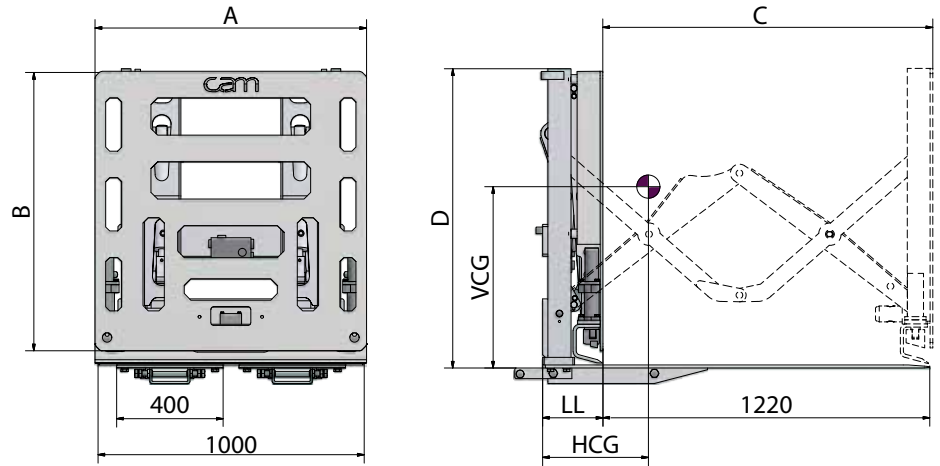
Hook-on model separate sidershifter

*When placing the order please inform us about the lift truck voltage

7.2 PUSH-PULLS FORK-MOUNTED PP-I

TECHNICAL DETAILS:

- Maximum pressure 2,300 psi
- Recommended oil flow 7 gpm
- Fork-mounted model
- No sheet retainer
- 1 hydraulic function



Model	Capacity 24" (600mm) Load Center	A	B	C	W Platen Size	D Outside Platen Spacing	VCG	LL	HCG	Weight	Mounting Class
SYPP1612I	3,500lb (1,587kg)	40.0"	41.0"	50.0"	15.0"	34.0" - 41.7"	11.5"	9.1"	8.8"	1,267lb (575kg)	II
SYPP2012I	4,500lb (2,041kg)	40.0"	41.0"	50.0"	15.0"	34.0" - 41.7"	11.3"	9.1"	8.6"	1,276lb (579kg)	II
SYPP1612IA	3,500lb (1,587kg)	40.0"	41.0"	50.0"	18.0"	40.0" - 48.0"	11.4"	9.1"	9.2"	1,294lb (587kg)	II
SYPP2012IA	4,500lb (2,041kg)	40.0"	41.0"	50.0"	18.0"	40.0" - 48.0"	11.3"	9.1"	9.3"	1,302lb (591kg)	II

AVAILABLE ON REQUEST

Standard slip on for fork sections 4.7" x 1.6" and 4.7" x 1.8"
Slip-on for different fork sections

TECHNICAL DETAILS:

- Fork-mounted model
- With sheet retainer
- 1 hydraulic function

Model	Capacity 24" (600mm) Load Center	A	B	C	W Platen Size	D Outside Platen Spacing	VCG	LL	HCG	Weight	Mounting Class
SYPP1612IS	3,500lb (1,587kg)	40.0"	41.0"	50.0"	15.0"	34.0" - 41.7"	12.6"	9.1"	10.2"	1,375lb (624kg)	II
SYPP2012IS	4,500lb (2,041kg)	40.0"	41.0"	50.0"	15.0"	34.0" - 41.7"	12.7"	9.1"	10.3"	1,397lb (634kg)	II
SYPP1612ISA	3,500lb (1,587kg)	40.0"	41.0"	50.0"	18.0"	40.0" - 44.0"	11.8"	9.1"	11.1"	1,415lb (642kg)	II
SYPP2012ISA	4,500lb (2,041kg)	40.0"	41.0"	50.0"	18.0"	40.0" - 44.0"	11.7"	9.1"	11.2"	1,439lb (653kg)	II

Options

Standard slip on for fork sections 4.7" x 1.6" and 4.7" x 1.8"

Slip-on for different fork sections on request

*When placing the order please inform us about the lift truck voltage

MAGNASOURCE INC.

833-362-8590 / support@magnasourceinc.com
WWW.MAGNASOURCEINC.COM